

FAUCET DESCRIPTION

- Metal construction with chrome plated finish
- Copper or brass waterways
- 1/2" IPS connections
- Supplied with vandal resistant screws and waste assembly as noted

OPERATION

- 4" Wrist blade style handles with hot and cold color indicators
- Hot side counterclockwise (1/4) turn to open (clockwise to close)
- Cold side clockwise (1/4) turn to open (counterclockwise to close)

FLOW

- Aerator is limited to 2.2 gpm max (8.3 L/min)

CARTRIDGE

- 1224 cartridge design
- Nonmetallic and stainless steel material

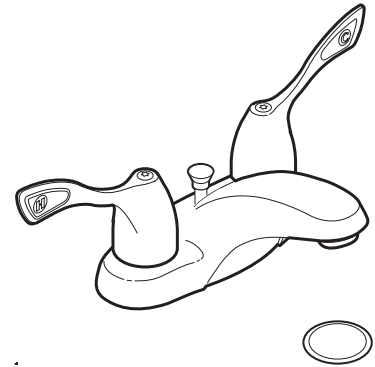
STANDARDS

- Third party certified to: ASME A112.18.1/CSA B-125.1 and all applicable requirements referenced therein including NSF61/9
- Contains no more than 0.25% weighted average lead content
- Complies with California Proposition 65 and with the Federal Safe Water Drinking Act

- **ADA** for lever handles

WARRANTY

- Warranted for 5 years against material or manufacturing defects



Two-Handle Lavatory Faucet

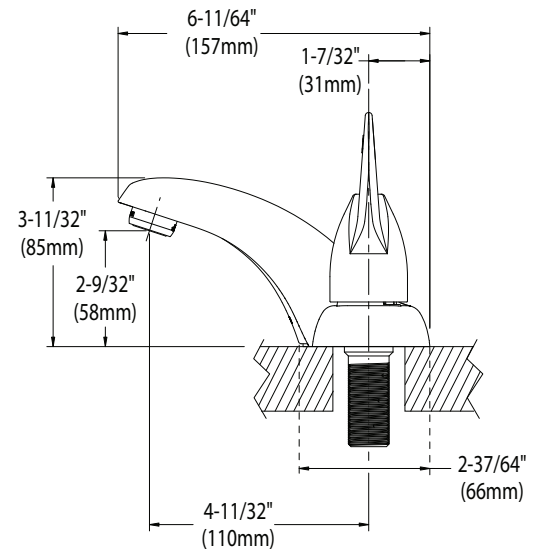
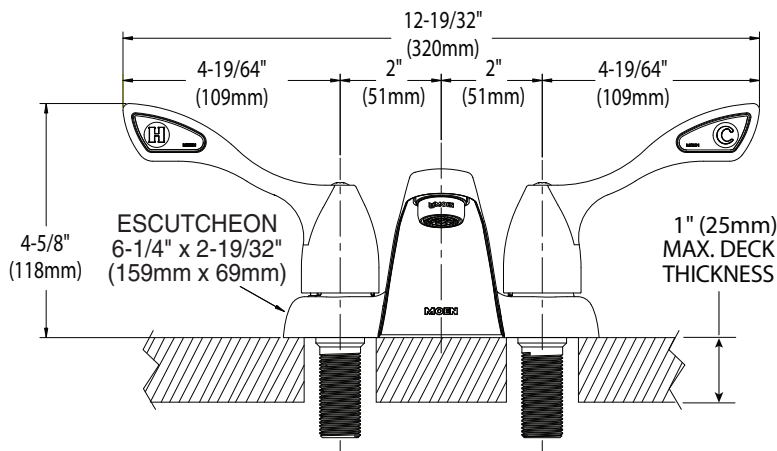
Model: CA8820 with metal drain

Model: CA8800 less drain

Model: CA8810 with grid drain



NOTE: Designed to be installed through 3 - 1" min. dia. holes 2" on center



CRITICAL DIMENSIONS

(DO NOT SCALE)