

### FAUCET DESCRIPTION

- Metal construction with chrome plated finish
- Copper or brass waterways
- 1/2" IPS connections
- Supplied with vandal resistant screws

### OPERATION

- 4" Wrist blade style handles with hot and cold color indicators
- Hot side counterclockwise (1/4) turn to open (clockwise to close)
- Cold side clockwise (1/4) turn to open (counterclockwise to close)

### FLOW

- Vandal resistant aerator is limited to 0.5 gpm max

### CARTRIDGE

- 1224 cartridge design
- Nonmetallic and stainless steel material

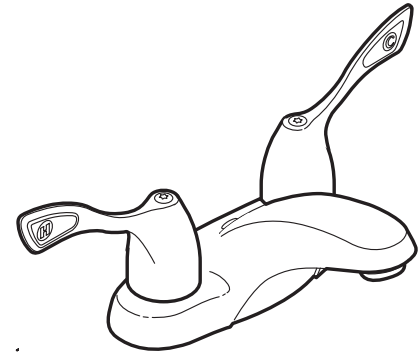
### STANDARDS

- Third party certified to: ASME A112.18.1/CSA B-125.1 and all applicable requirements referenced therein including NSF61/9
- Contains no more than 0.25% weighted average lead content
- Complies with California Proposition 65 and with the Federal Safe Water Drinking Act

- **ADA**  for lever handles

### WARRANTY

- Warranted for 5 years against material or manufacturing defects

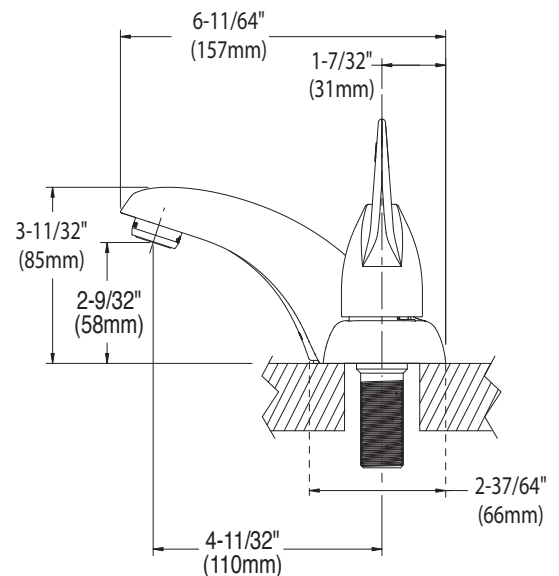
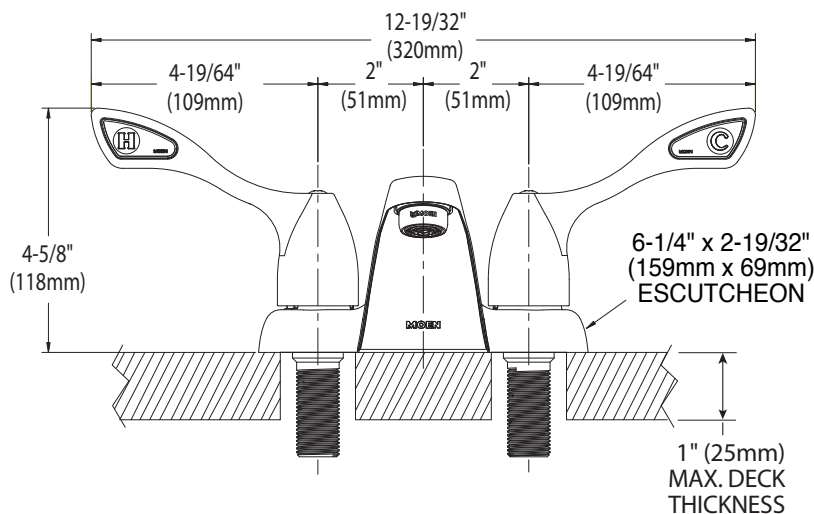


**Two-Handle Lavatory Faucet**

**Model: CA8801**



**NOTE:** Designed to be installed through 2 - 1" min. dia. holes 4" on center



## CRITICAL DIMENSIONS

(DO NOT SCALE)