

### DESCRIPTION

- Metal construction with chrome plated finish
- 1/2" IPS connections
- Supplied with vandal resistant screws

### OPERATION

- 4" Wrist blade style handles with hot and cold color indicators
- Rotate the hot side handle 1/4 turn counterclockwise to open and clockwise to close
- Rotate the cold side handle 1/4 turn clockwise to open and counterclockwise to close


### FLOW

- Aerator is limited to 2.2 gpm MAX. (8.3 L/min)

### CARTRIDGE

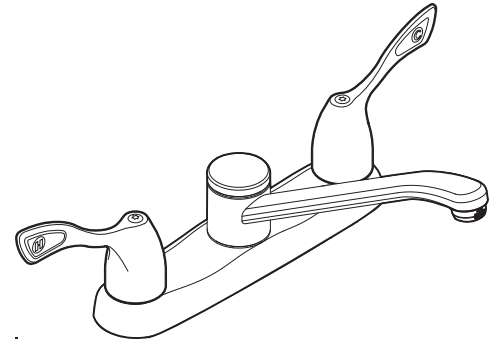
- 1224 cartridge design
- Nonmetallic and stainless steel material

### STANDARDS

- Third party certified to: ASME A112.18.1/CSA B-125.1 and all applicable requirements referenced therein including NSF61/9
- Contains no more than 0.25% weighted average lead content
- Complies with California Proposition 65 and with the Federal Safe Water Drinking Act
- **ADA**  for lever handles

### WARRANTY

- Warranted for 5 years against material or manufacturing defects

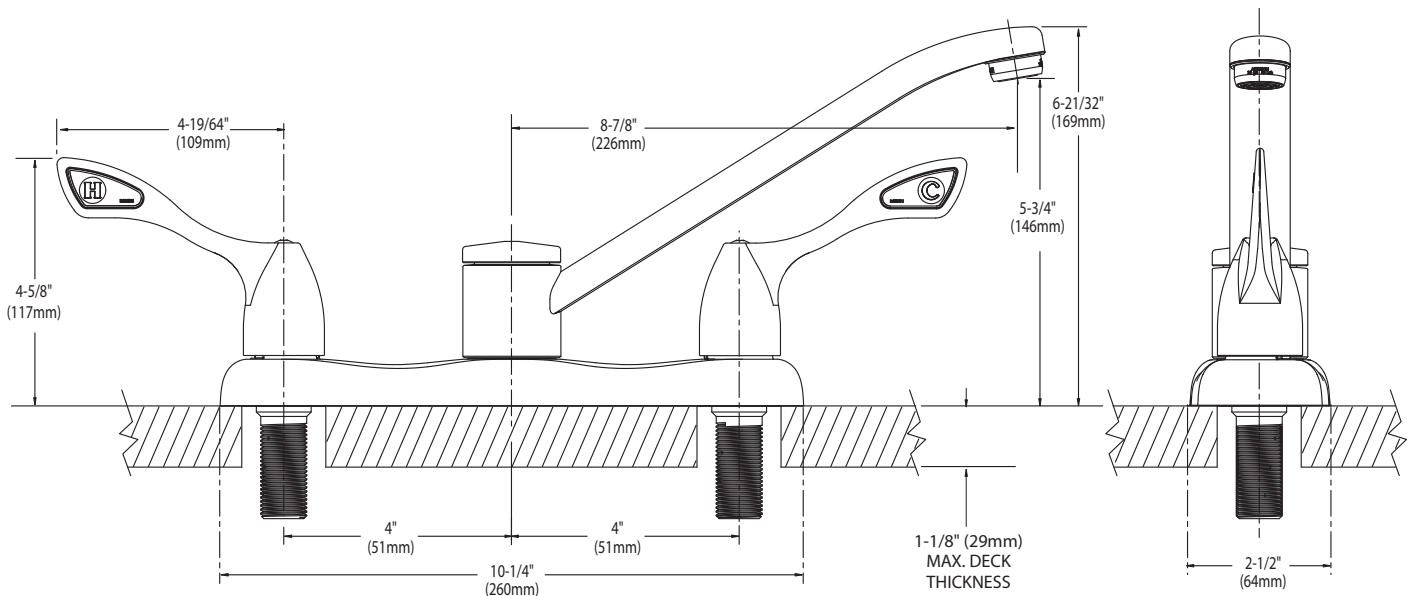


**Two-Handle Kitchen Faucet**

**Model: CA8798**



**NOTE:** THIS FAUCET IS DESIGNED TO BE INSTALLED THROUGH 3 HOLES - 1" MIN. DIA. AND ON 4" CENTERS



## CRITICAL DIMENSIONS

(DO NOT SCALE)