

DESCRIPTION

- Metal construction with chrome plated finish
- 1/2" IPS connections
- Supplied with vandal resistant screws

OPERATION

- Tri blade style handles with hot and cold color indicators
- Rotate either handle counterclockwise to open and clockwise to close

FLOW

- Aerator is limited to 2.2 gpm MAX. (8.3 L/min)

CARTRIDGE

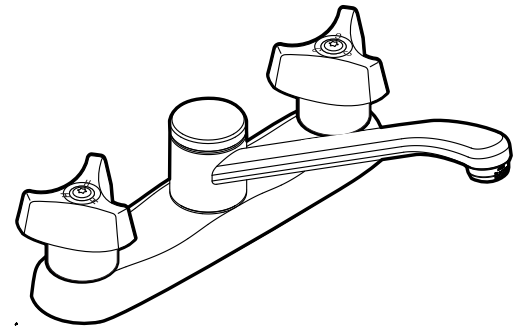
- 1224 cartridge design
- Nonmetallic and stainless steel material

STANDARDS

- Third party certified to: ASME A112.18.1/CSA B-125.1 and all applicable requirements referenced therein including NSF61/9
- Contains no more than 0.25% weighted average lead content
- Complies with California Proposition 65 and with the Federal Safe Water Drinking Act

WARRANTY

- Warranted for 5 years against material or manufacturing defects

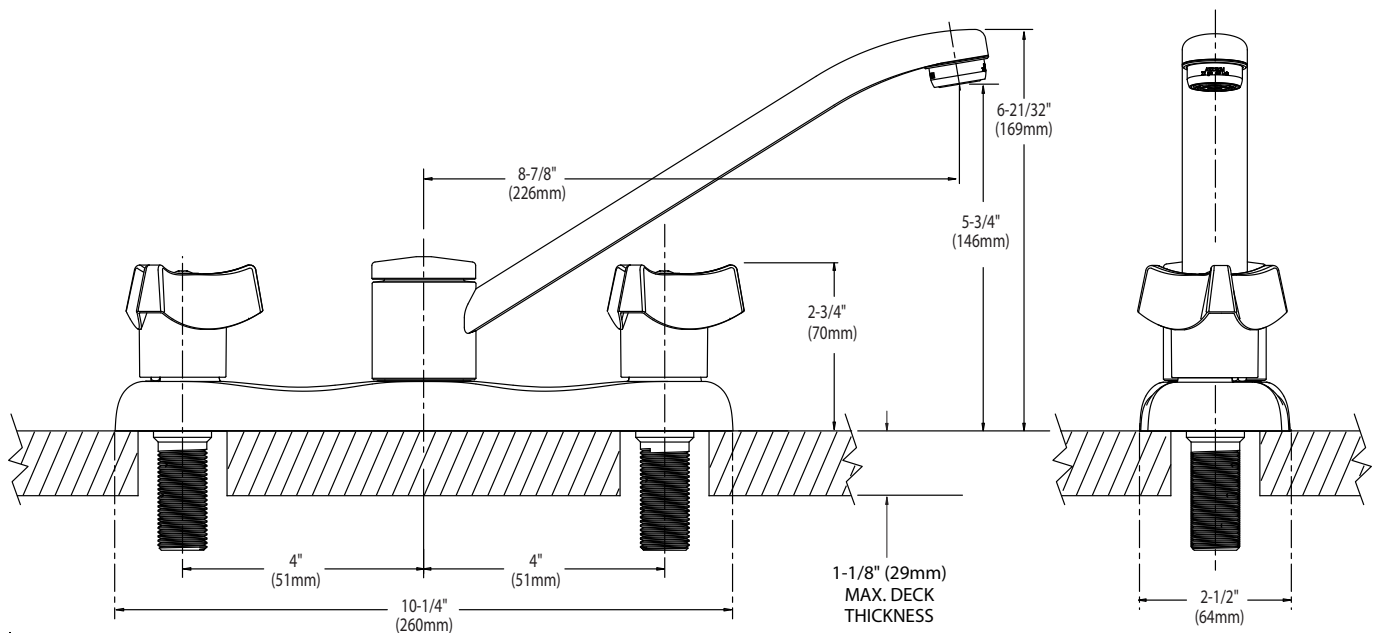


Two-Handle Kitchen Faucet

Model: CA8793



NOTE: THIS FAUCET IS DESIGNED TO BE INSTALLED THROUGH 3 HOLES - 1" MIN. DIA. AND ON 4" CENTERS



CRITICAL DIMENSIONS

(DO NOT SCALE)