

DESCRIPTION

- Metal construction with chrome plated finish
- 1/2" IPS connections
- Supplied with vandal resistant screws
- Includes side spray with Hydrolock® quick connect system

OPERATION

- Lever style handles with hot and cold color indicators
- Rotate the hot side handle 1/4 turn counterclockwise to open (clockwise to close)
- Rotate the cold side handle 1/4 turn clockwise to open (counterclockwise to close)

FLOW

- Aerator is limited to 2.2 gpm max (8.3 L/min)

CARTRIDGE

- 1224 cartridge design
- Nonmetallic and stainless steel material

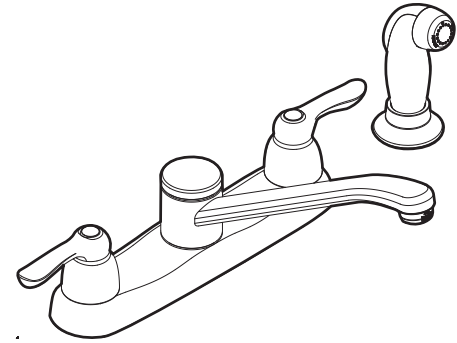
STANDARDS

- Third party certified to ASME A112.18.1M/CSA B-125 and all applicable requirements referenced therein including NSF 61/9
- Contains no more than 0.25% weighted average lead content
- Complies with California Proposition 65 and with the Federal Safe Water Drinking Act

- **ADA**  for lever handles

WARRANTY

- Warranted for 5 years against material or manufacturing defects



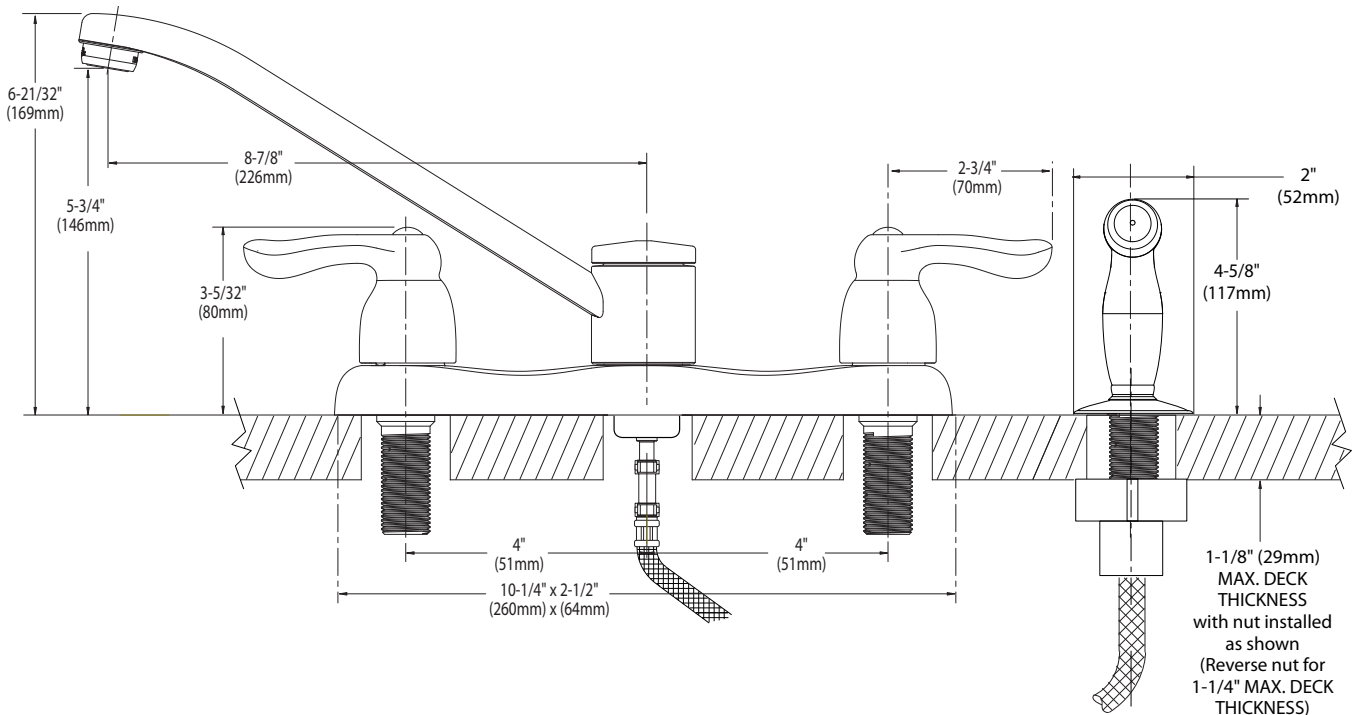
Two-Handle Kitchen Faucet

Model: CA8791 with side spray

Model: CA8780 less side spray



NOTE: THIS FAUCET IS DESIGNED TO BE INSTALLED THROUGH HOLES - 1" MIN. DIA. AND ON 4" CENTERS



CRITICAL DIMENSIONS

(DO NOT SCALE)