



Buy it for looks. Buy it for life.®

FAUCET DESCRIPTION

- Metal construction with various finishes identified by suffix
- 1/2" IPS connections
- Includes Protégé side spray and hose
- Hydrolock® quick-connect installation

OPERATION

- Lever style chrome handles
- Maximum handle rotation angle is 90° to full on either handle
- Rotating hot side counterclockwise to open and clockwise to close.
- Rotating cold side clockwise to open and counterclockwise to close


FLOW

- Aerator is limited to 2.0 gpm max (7.6 L/min)

CARTRIDGE

- 1224 cartridge design
- Nonmetallic and stainless steel material

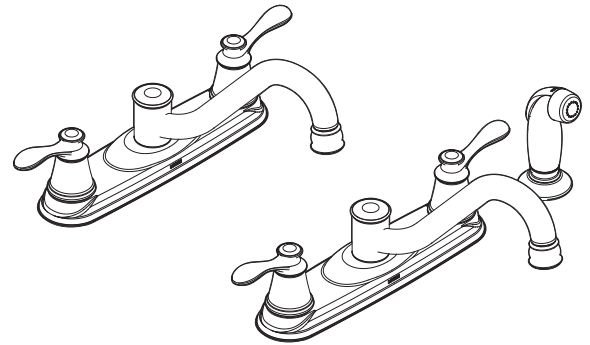
STANDARDS

- Third party certified to ASME A112.18.1/CSA B-125.1 and all applicable requirements referenced therein including NSF 61/9
- Meets Georgia SB370 requirements
- Contains no more than 0.25% weighted average lead content
- Complies with California Proposition 65 and with the Federal Safe Drinking Water Act
- **ADA**  for lever handles

WARRANTY

- Lifetime limited warranty against leaks, drips and finish defects to the original consumer purchaser
- 5 year warranty if used in commercial installations

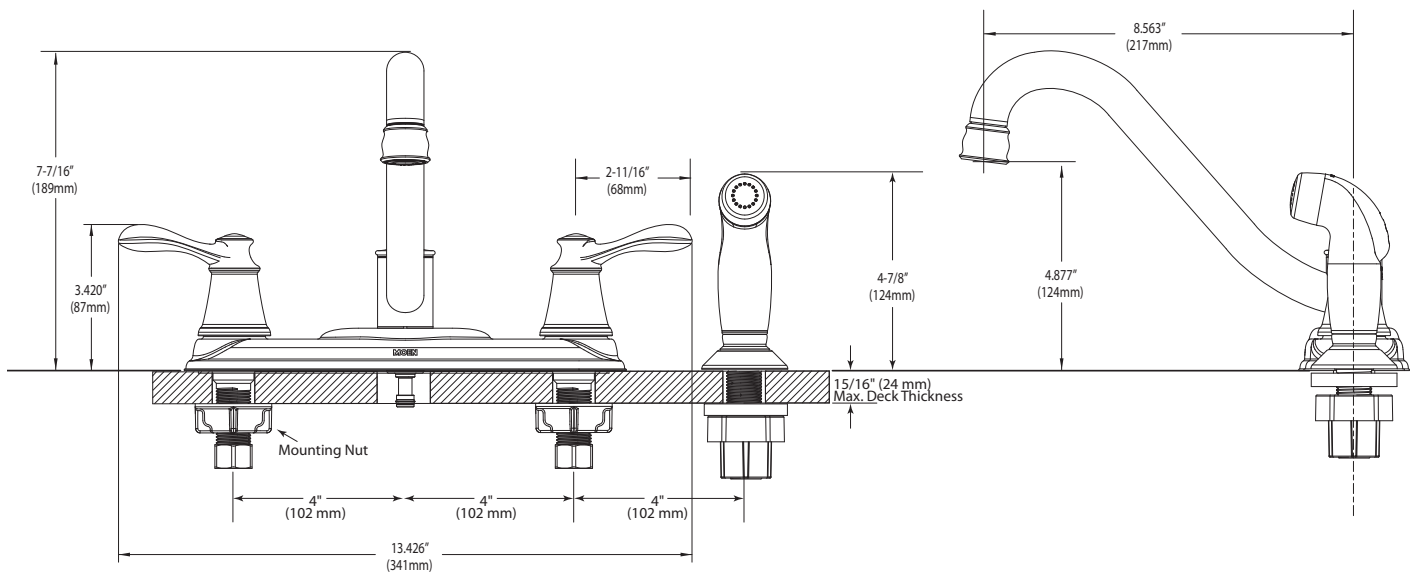
Specifications



Caldwell™ Two Handle Lever Style Kitchen Faucet with Protégé® Side Spray

Models: CA87629 series
CA87621 series (less side spray)

NOTE: DESIGNED TO INSTALL THROUGH
4 HOLES 1-1/4" (32mm) MIN. DIA. AND
4" (102mm) ON CENTER



CRITICAL DIMENSIONS

(DO NOT SCALE)

FOR MORE INFORMATION CALL: 1-800-BUY-MOEN

www.moen.com

Rev. 3/12

Hydrolock® is a registered trademark of COOPER STANDARD AUTOMOTIVE INC.

MOEN SPEC 1159 3/00012179 Rev.04.11