



Buy it for looks. Buy it for life.®

*There is more than 1 version of this model.
Page down to identify the version you have.*

FAUCET DESCRIPTION

- Metal construction with various finishes identified by suffix
- Flexible supply lines with 3/8" compression fittings
- Duralock™ Quick Connect Installation

OPERATION

- Lever style handle
- Hot side counterclockwise to open (clockwise to close), cold side clockwise to open (counterclockwise to close)
- Will operate with less than 5 lbs. of force

FLOW

- Aerator is limited to 1.5 gpm (5.7 L/min) at 60 psi
- Operates in eco-performance mode by default in aerated and spray stream

CARTRIDGE

- 1255™ Duralast™ cartridge
- Engineered polymers, non-ferrous and stainless steel materials

STANDARDS

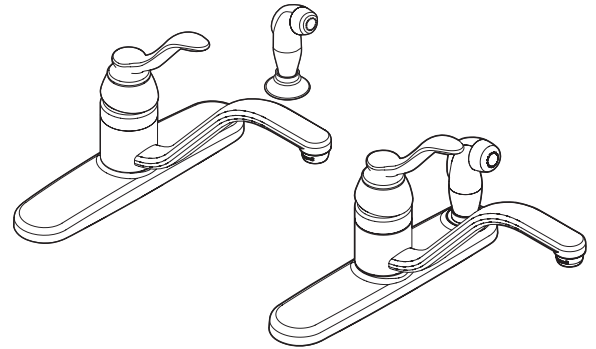
- Third party certified to ASME A112.18.1/CSA B-125.1 and all applicable requirements referenced therein
- Certified to ANSI/NSF 61 & 372
- Meets CalGreen and Georgia SB370 requirements
- Contains no more than 0.25% weighted average lead content
- Complies with California Proposition 65 and with the Federal Safe Drinking Water Act

- **ADA**  for lever handle

WARRANTY

- Lifetime limited warranty against leaks, drips and finish defects to the original consumer purchaser
- 5 year warranty if used in commercial installations

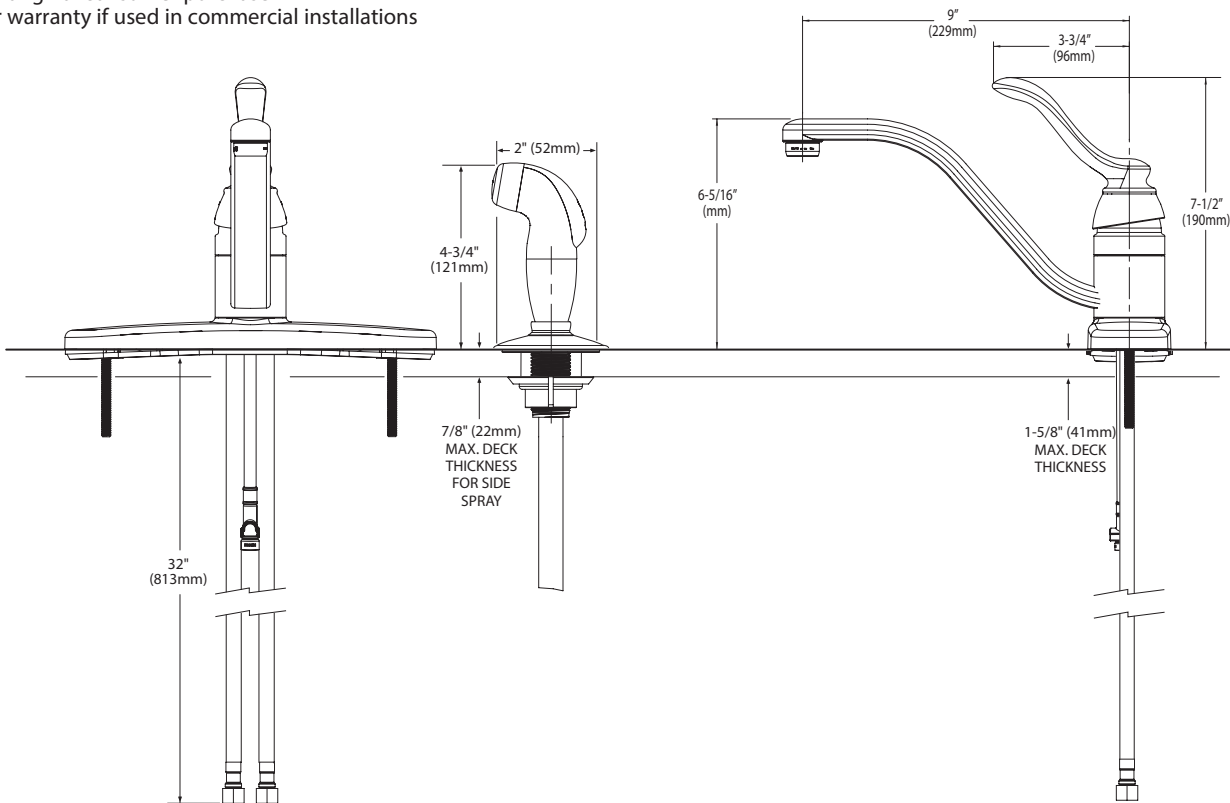
Specifications



Banbury™ Single-Handle Lever Kitchen Faucet w/Side Spray in Deck Escutcheon

Models: CA87528 series
CA87527 series (spray in deck)

NOTE: DESIGNED TO BE INSTALLED THROUGH 3 HOLES
1-1/4" (32mm) MIN. DIA. AND 4" (102mm) ON CENTER.



CRITICAL DIMENSIONS

(DO NOT SCALE)



Buy it for looks. Buy it for life.®

Specifications

FAUCET DESCRIPTION

- Metal construction with various finishes identified by suffix
- Flexible supply lines with 3/8" compression fittings
- Quick Connect Installation

OPERATION

- Lever style handle
- Hot side counterclockwise to open (clockwise to close), cold side clockwise to open (counterclockwise to close)
- Will operate with less than 5 lbs. of force

FLOW

- Aerator is limited to 1.5 gpm (5.7 L/min) at 60 psi

CARTRIDGE

- 1255® Duralast® cartridge
- Nonmetallic/nonferrous and stainless steel material

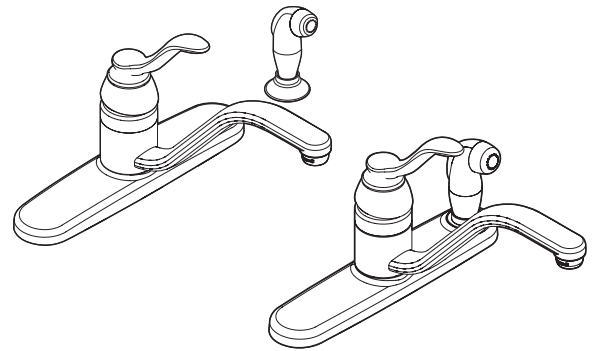
STANDARDS

- Third party certified to ASME A112.18.1/CSA B-125.1 and all applicable requirements referenced therein including NSF 61/9 & 372
- Meets Georgia SB370 requirements
- Contains no more than 0.25% weighted average lead content
- Complies with California Proposition 65 and with the Federal Safe Drinking Water Act

- **ADA**  for lever handle

WARRANTY

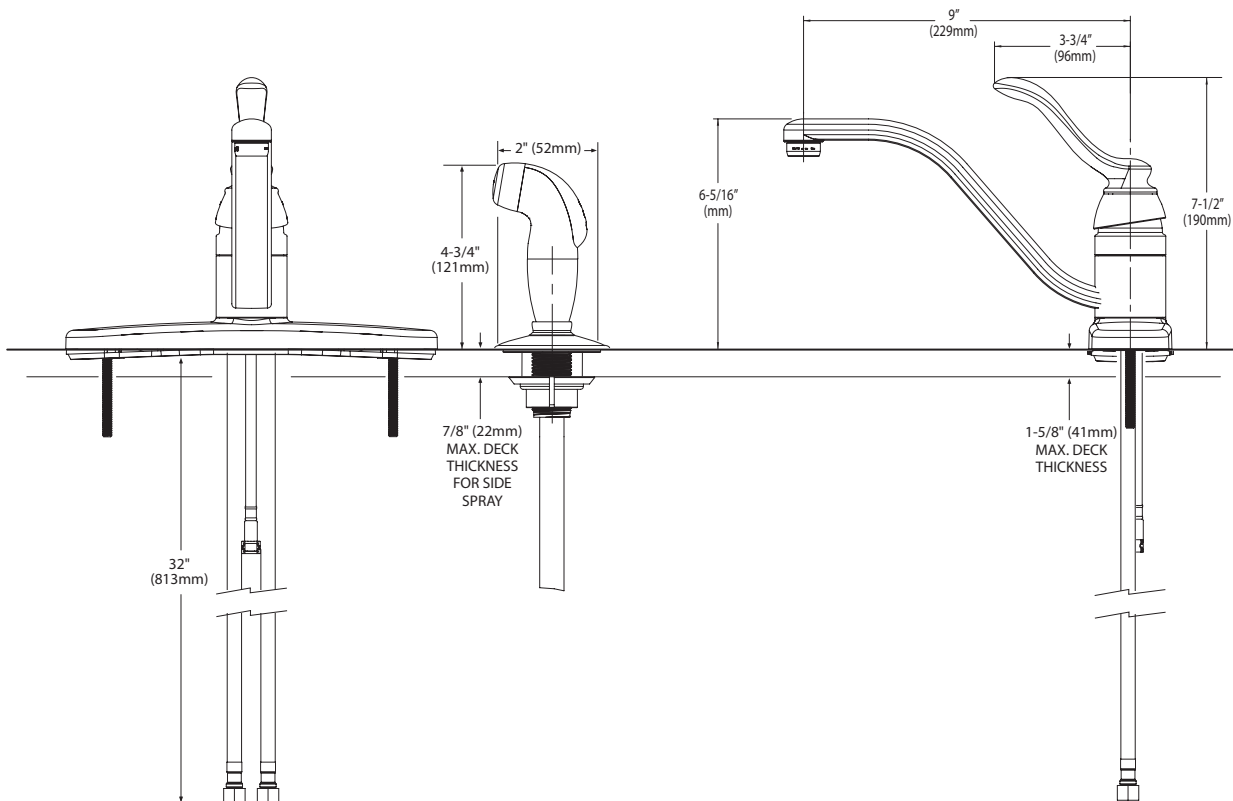
- Lifetime limited warranty against leaks, drips and finish defects to the original consumer purchaser
- 5 year warranty if used in commercial installations



Banbury™
Single-Handle Lever Kitchen Faucet
w/Side Spray
in Deck Escutcheon

Models: CA87528 series
 CA87527 series (spray in deck)

NOTE: DESIGNED TO BE INSTALLED THROUGH 3 HOLES
 1-1/4" (32mm) MIN. DIA. AND 4" (102mm) ON CENTER.



CRITICAL DIMENSIONS

(DO NOT SCALE)



Buy it for looks. Buy it for life.®

Specifications

FAUCET DESCRIPTION

- Metal construction with various finishes identified by suffix
- Inlet shanks will accept 3/8" ball nose connections

OPERATION

- Lever style handle
- Hot side counterclockwise to open (clockwise to close), cold side clockwise to open (counter-clockwise to close)
- Will operate with less than 5 lbs. of force


FLOW

- Aerator is limited to 1.5 gpm (5.7 L/min) at 60 psi

CARTRIDGE

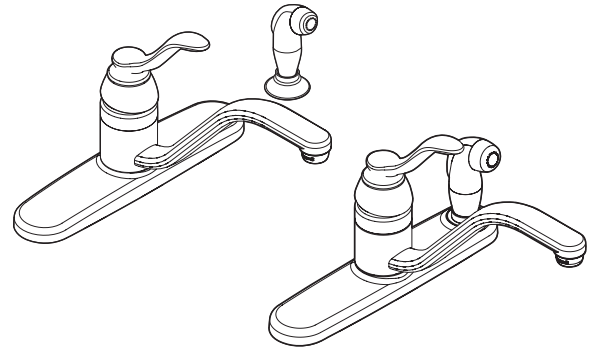
- 4000 ceramic disc cartridge design
- Nonmetallic/nonferrous and stainless steel material

STANDARDS

- Third party certified to CSA B-125.1, ASME A112.18.1, ICC A117.1 and all applicable requirements referenced therein
- Certified to ANSI/NSF 61/9 & 372
- Contains no more than 0.25% weighted average lead content
- Complies with California Proposition 65 and with the Federal Safe Drinking Water Act
- **ADA**  for lever handle

WARRANTY

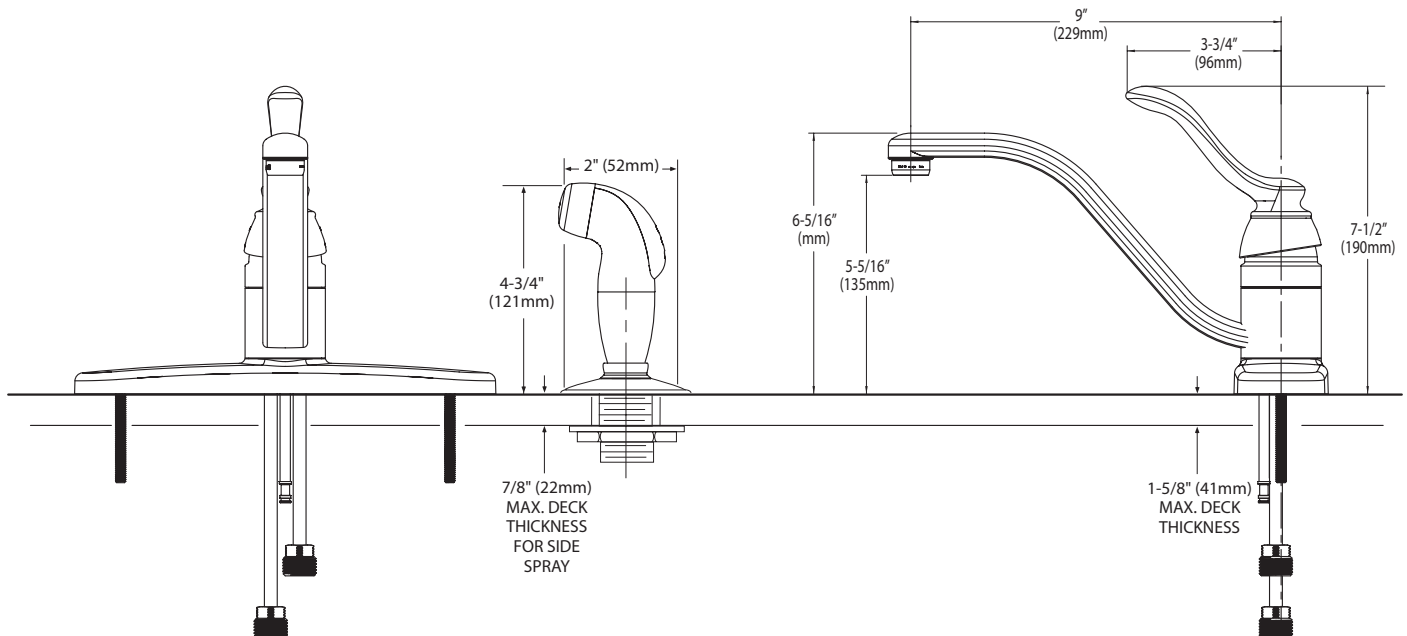
- Lifetime limited warranty against leaks, drips and finish defects to the original consumer purchaser
- 5 year warranty if used in commercial installations



Banbury™
Single-Handle Lever Kitchen Faucet
w/Side Spray
in Deck Escutcheon

Models: CA87528 series
 CA87527 series (spray in deck)

NOTE: DESIGNED TO BE INSTALLED THROUGH 3 HOLES
 1-1/4" (32mm) MIN. DIA. AND 4" (102mm) ON CENTER.



CRITICAL DIMENSIONS

(DO NOT SCALE)