



Buy it for looks. Buy it for life.®

*There is more than 1 version of this model.
Page down to identify the version you have.*

FAUCET DESCRIPTION

- Metal construction with various finishes identified by suffix
- Flexible supplies with 3/8" compression fittings
- Includes Protégé® side spray
- Duralock™ Quick Connect Installation

OPERATION

- Lever style handle
- Operates with less than 5 lbs. of force


FLOW

- Aerator is limited to 1.5 gpm max (5.7 L/min)

CARTRIDGE

- 1255™ Duralast™ cartridge
- Nonmetallic/nonferrous and stainless steel material

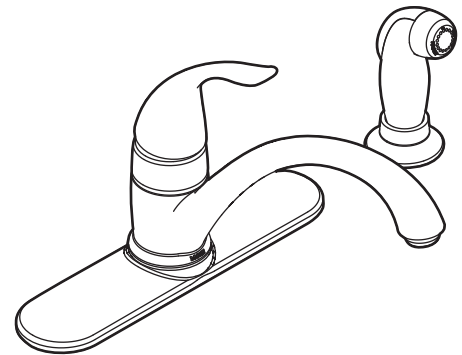
STANDARDS

- Third party certified to ASME A112.18.1/CSA B-125.1 and all applicable requirements referenced therein
- Certified to ANSI/NSF 61/9
- Meets CalGreen and Georgia SB370 requirements
- Contains no more than 0.25% weighted average lead content
- Complies with California Proposition 65 and with the Federal Safe Drinking Water Act
- **ADA**  for lever handle

WARRANTY

- Lifetime limited warranty against leaks, drips and finish defects to the original consumer purchaser
- 5 year warranty if used in commercial installations

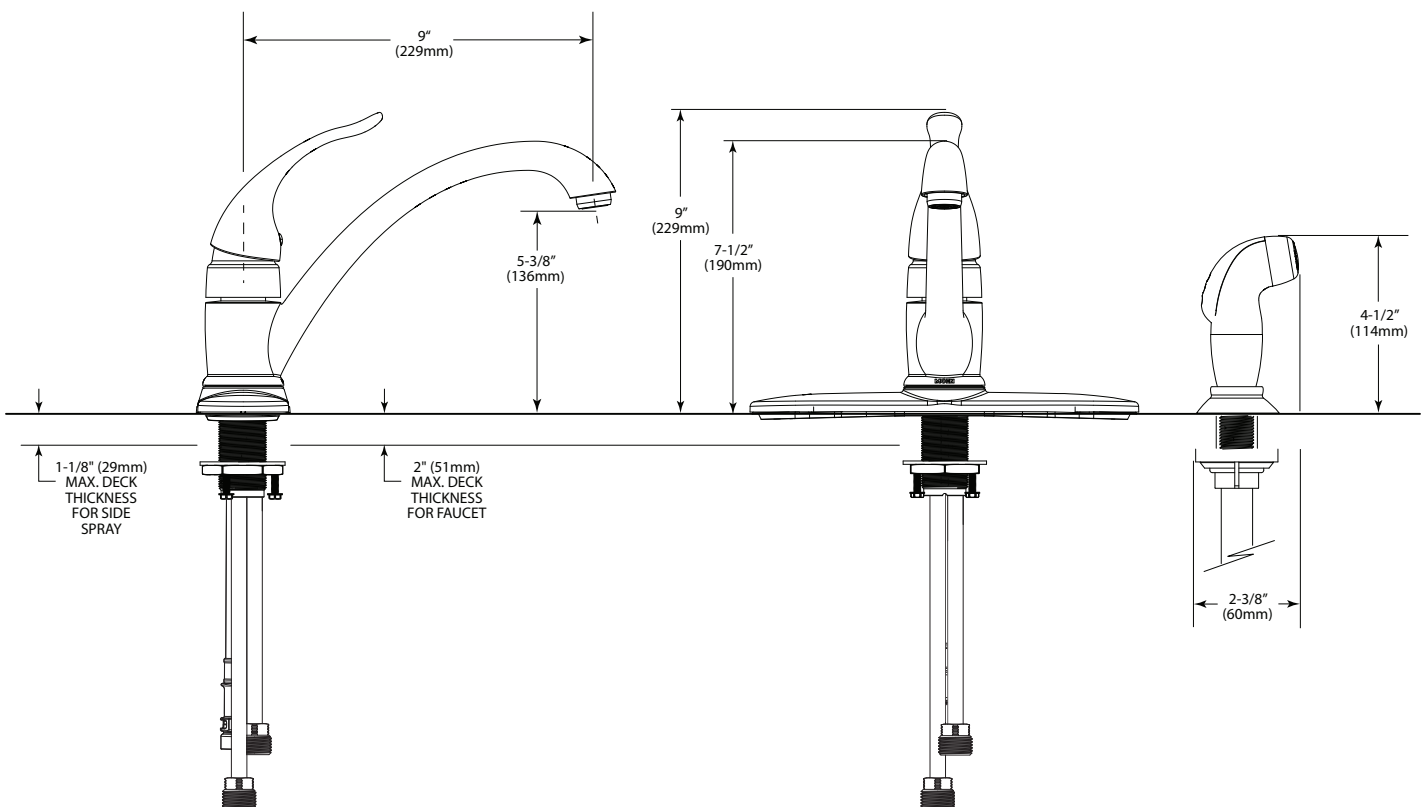
Specifications



Torrance™ Single Handle Lever Kitchen Faucet with Protégé® Side Spray

Models: CA87480 series
CA87485 series (less side spray)
87485 series (less side spray)

NOTE: THIS FAUCET IS DESIGNED TO BE INSTALLED THROUGH 4 HOLES 1-1/4" (32mm) MIN. DIA. AND 4" (102mm) ON CENTER.
Also has single hole mount capability.



CRITICAL DIMENSIONS

(DO NOT SCALE)



Buy it for looks. Buy it for life.®

Specifications

FAUCET DESCRIPTION

- Metal construction with various finishes identified by suffix
- Flexible supplies with 3/8" compression fittings
- Includes Protégé® side spray with quick connect system

OPERATION

- Lever style handle
- Operates with less than 5 lbs. of force

FLOW

- Aerator is limited to 1.5 gpm max (5.7L/min)

CARTRIDGE

- 1255™ Duralast™ cartridge for Single-Handle Faucets
- Nonmetallic/nonferrous and stainless steel material

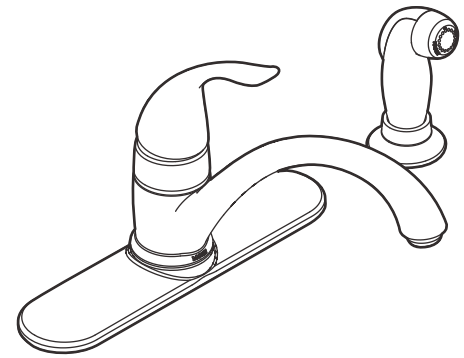
STANDARDS

- Third party certified to ASME A112.18.1/CSA B-125.1 and all applicable requirements referenced therein
- Certified to ANSI/NSF 61/9
- Contains no more than 0.25% weighted average lead content
- Complies with California Proposition 65 and with the Federal Safe Drinking Water Act

- **ADA**  for lever handle

WARRANTY

- Lifetime limited warranty against leaks, drips and finish defects to the original consumer purchaser
- 5 year warranty if used in commercial installations

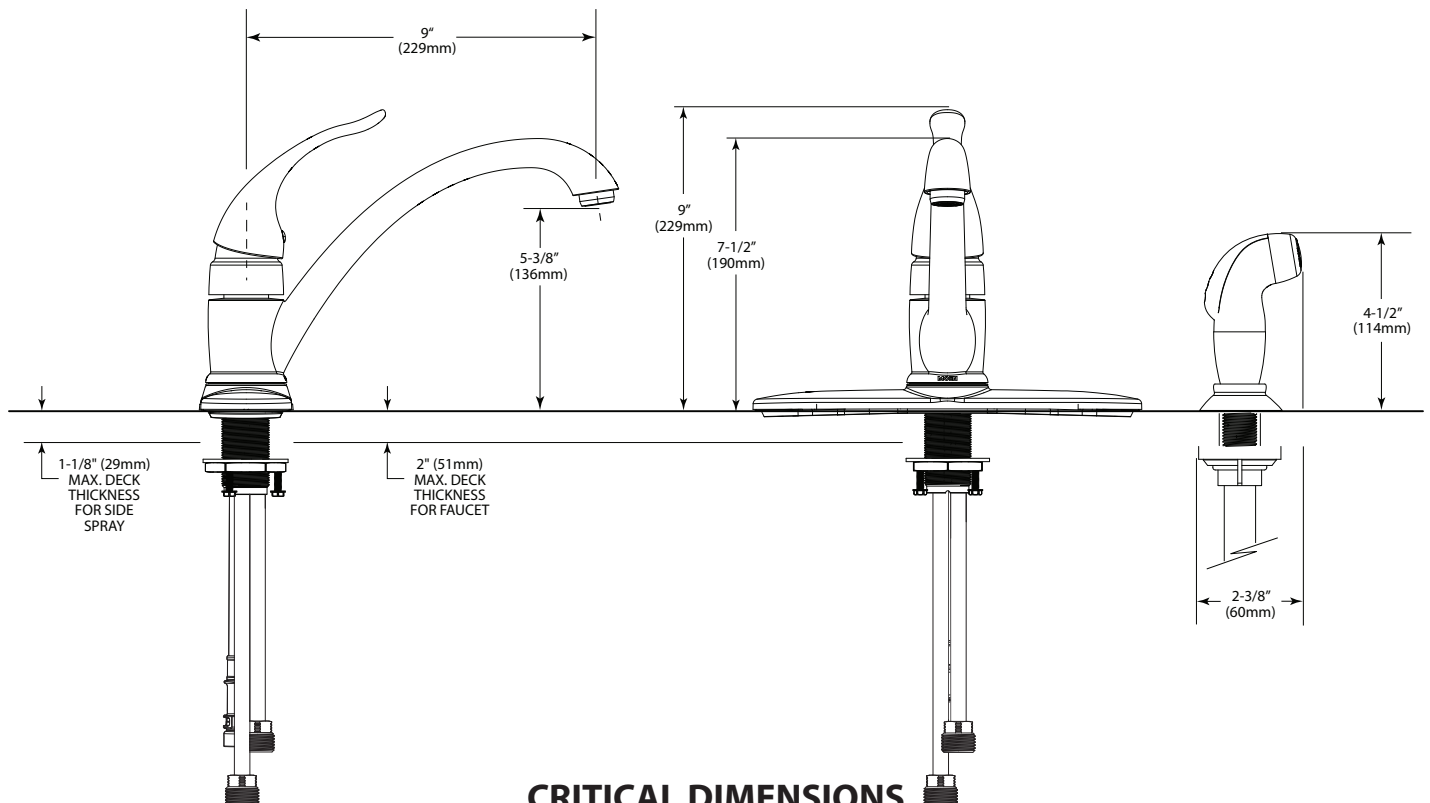


Torrance™ Single Handle Lever Kitchen Faucet with Protégé® Side Spray

Models: CA87480 series
CA87485 series (less side spray)

NOTE: THIS FAUCET IS DESIGNED TO BE INSTALLED THROUGH 4 HOLES 1-1/4" (32mm) MIN. DIA. AND 4" (102mm) ON CENTER.

Also has single hole mount capability.



CRITICAL DIMENSIONS

(DO NOT SCALE)