

There is more than 1 version of this model.
Page down to identify the version you have.

DESCRIPTION

- Chrome plated brass construction
- Supplied with 9" spout
- 1/2" IPS connections
- Supplied with vandal resistant screws
- Includes side spray with Hydrolock® quick connect system

OPERATION

- Pull-on/Push-off lever style handle with hot and cold color indicators
- Temperature controlled by 180° arc of handle travel

FLOW


- Aerator is limited to 2.2 gpm max (8.3 L/min)

CARTRIDGE

- 1225 cartridge design
- Nonmetallic/nonferrous and stainless steel material

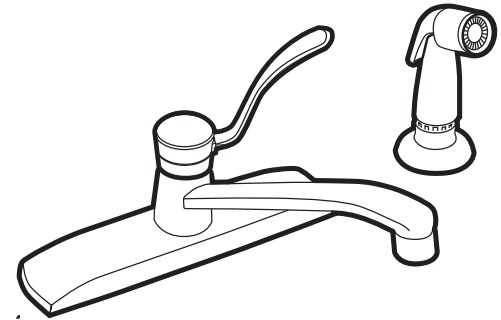
STANDARDS

- Third party certified to ASME A112.18.1M/CSA B-125 and all applicable requirements referenced therein including NSF 61/9
- Contains no more than 0.25% weighted average lead content
- Complies with California Proposition 65 and with the Federal Safe Water Drinking Act

- ADA  for lever handles

WARRANTY

- Warranted for 5 years against material or manufacturing defects

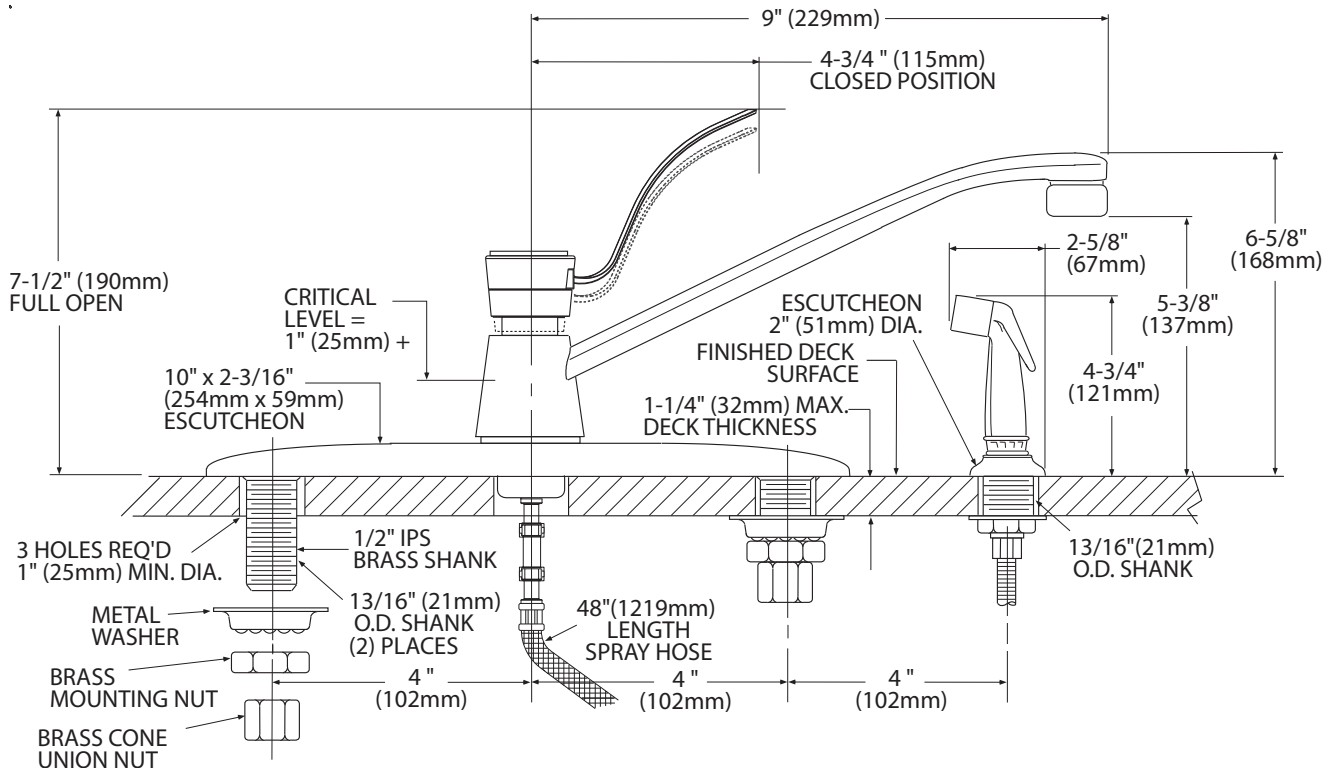


Single-Handle Kitchen Faucet w/Hose & Spray

Model: CA8720



NOTE: DESIGNED TO INSTALL
THROUGH 4 HOLES 1" MIN. DIA.
AND 4" ON CENTER



CRITICAL DIMENSIONS

(DO NOT SCALE)

DESCRIPTION

- Chrome plated brass construction
- Supplied with 9" spout
- 1/2" IPS connections
- Supplied with vandal resistant screws

OPERATION

- Pull-on/Push-off lever style handle with hot and cold color indicators
- Temperature controlled by 180° arc of handle travel

FLOW

- Aerator is limited to 2.2 gpm max (8.3 L/min)

CARTRIDGE

- 1225 cartridge design
- Nonmetallic/nonferrous and stainless steel material

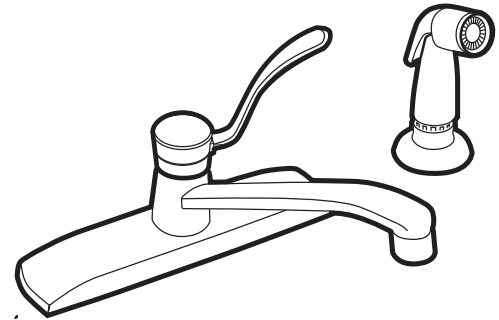
STANDARDS

- Third party certified by CSA to meet CSA B125.1, ASME A112.18.1, and all applicable specifications referenced therein and complies with the requirements of ANSI A117.1, NSF 61/9, and California Proposition 65.

- **ADA** for lever handles

WARRANTY

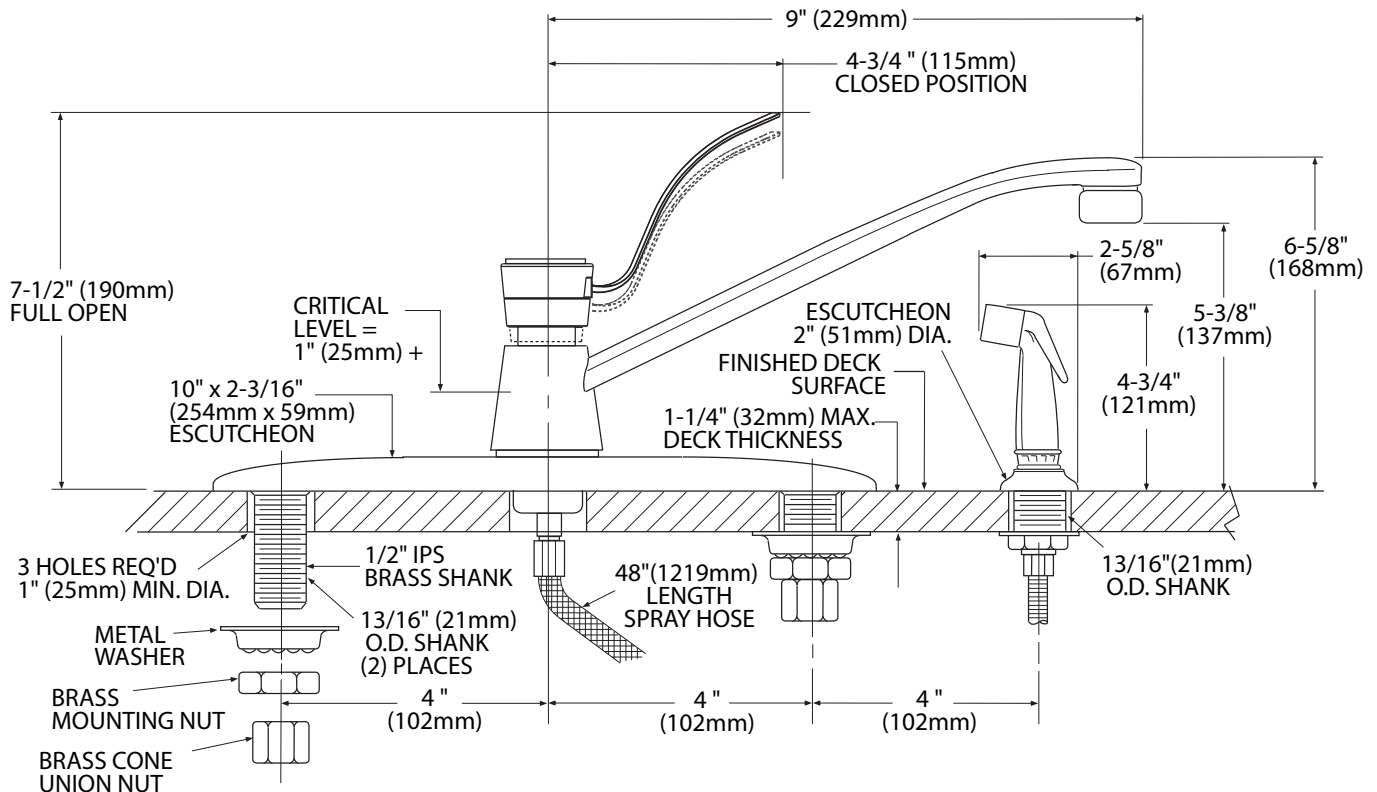
- Warranted for 5 years against material or manufacturing defects



Single-Handle Kitchen Faucet w/Hose & Spray

Model: CA8720

NOTE: DESIGNED TO INSTALL THROUGH 4 HOLES 1" MIN. DIA. AND 4" ON CENTER



CRITICAL DIMENSIONS

(DO NOT SCALE)