

## DESCRIPTION

- Chrome plated brass construction
- Supplied with 9" spout
- 1/2" IPS connections
- Supplied with vandal resistant screws

## OPERATION

- Lever style handle with hot and cold color indicators
- Temperature controlled by 180° arc of handle travel

## FLOW


- 2.2 MAX. gpm (8.3 L/min) aerator

## CARTRIDGE

- 1225 cartridge design
- Nonmetallic/nonferrous and stainless steel material

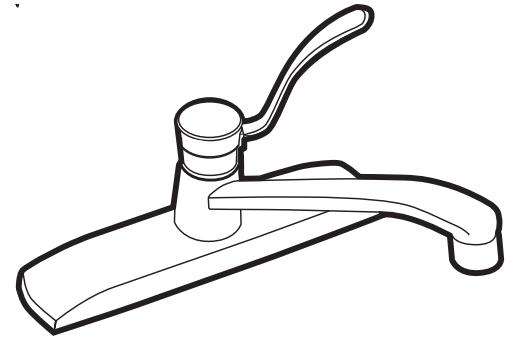
## STANDARDS

- Third party certified to ASME A112.18.1M/CSA B-125 and all applicable requirements referenced therein including NSF 61/9
- Contains no more than 0.25% weighted average lead content
- Complies with California Proposition 65 and with the Federal Safe Water Drinking Act

- **ADA**  for lever handles

## WARRANTY

- Warranted for 5 years against material or manufacturing defects

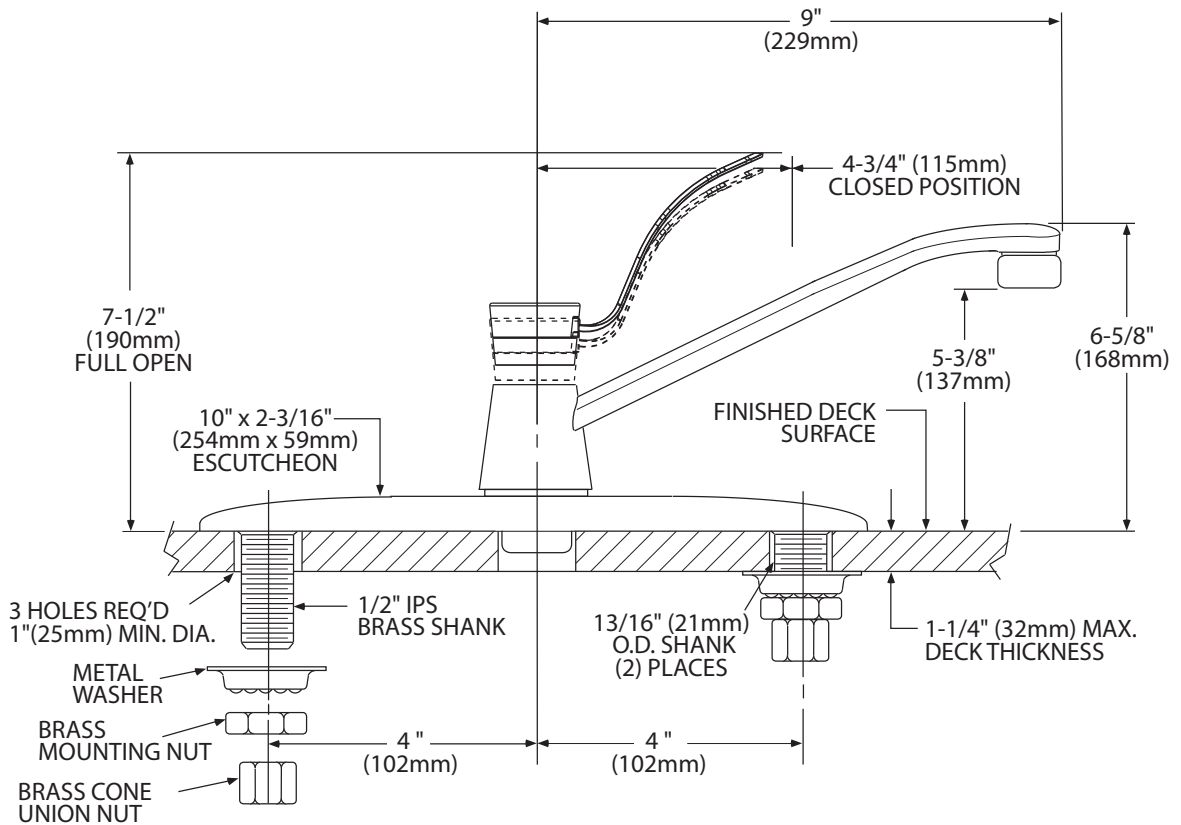


**Single-Handle Kitchen Faucet**

**Model: CA8710**



**NOTE:** DESIGNED TO INSTALL THROUGH 3 HOLES 1" MIN. DIA. AND 4" ON CENTER



## CRITICAL DIMENSIONS

(DO NOT SCALE)