





Buy it for looks. Buy it for life.®

# Specifications

## DESCRIPTION

- Metal construction with various finishes identified by suffix
- Duralock™ quick connect installation
- Pullout spray with 68" braided hose
- Flexible supply lines with 3/8" compression fittings
- 360° rotating spout

## OPERATION

- Lever style handle
- Operates with less than 5 lbs. of force
- Operates in stream or spray mode in the pullout or retracted position

## FLOW

- Flow is limited to 2.2 gpm (8.3 L/min) at 60 psi

## CARTRIDGE

- 1255™ Duralast™ cartridge for Single-Handle Faucets

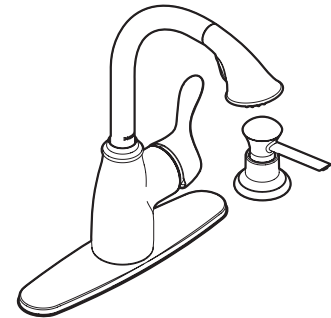
## STANDARDS

- Third party certified to ASME A112.18.1/CSA B125.1 and all applicable requirements referenced therein including NSF 61/9
- Contains no more than 0.25% weighted average lead content
- Complies with California Proposition 65 and with the Federal Safe Drinking Water Act
- The backflow protection system in the device consists of two independently operating check valves, a primary and a secondary which prevent backflow
- ADA ♿ for lever handle

## WARRANTY

- Lifetime limited warranty against leaks, drips and finish defects to the original homeowner
- 10 year limited warranty when used in a multifamily installation
- 5 year limited warranty when used in a commercial installation

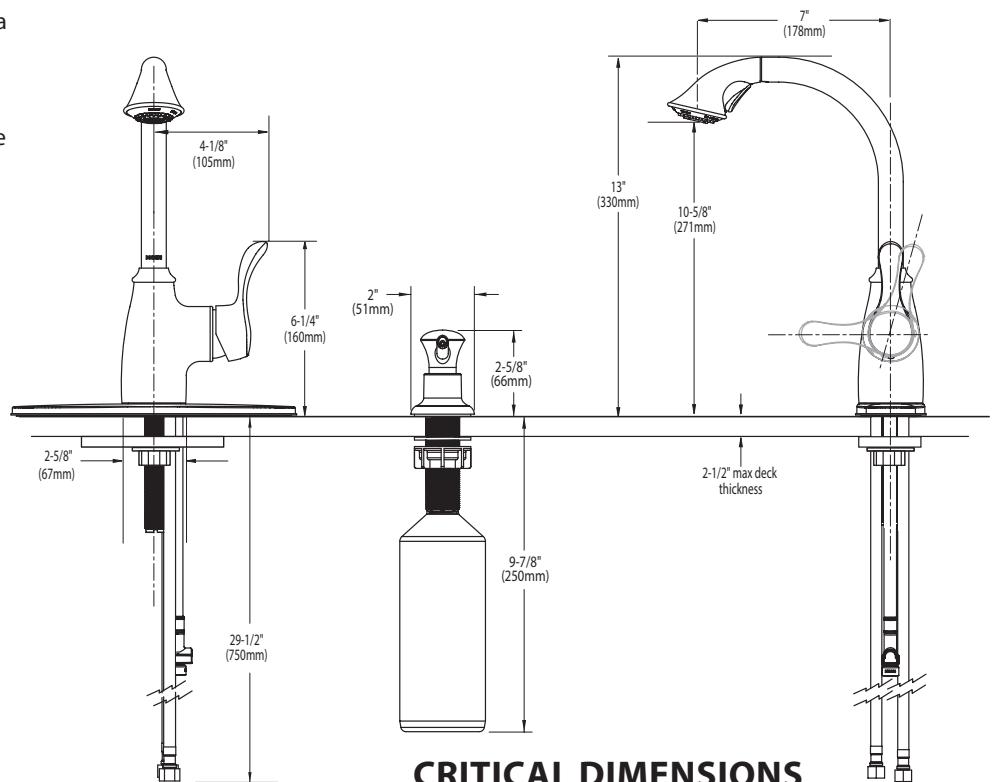
Visit [www.moen.com/support](http://www.moen.com/support) for complete details and limitations



**Single Handle High Arc Pulldown Kitchen Faucet**

**Models:** CA87054 series

**NOTE:** THIS FAUCET IS DESIGNED TO BE INSTALLED THROUGH 1, 3 or 4 HOLES, 1-1/2" (38mm) MIN. DIA. (1 HOLE FOR SOAP DISPENSER) (Model with soap dispenser effective prior to April 2016)



## CRITICAL DIMENSIONS

(DO NOT SCALE)



Buy it for looks. Buy it for life.®

# Specifications

## DESCRIPTION

- Metal construction with various finishes identified by suffix
- Quick connect installation
- Pullout spray with 68" braided hose
- Flexible supply lines with 3/8" compression fittings
- 360° rotating spout

## OPERATION

- Lever style handle
- Operates with less than 5 lbs. of force
- Operates in stream or spray mode in the pullout or retracted position

## FLOW

- Flow is limited to 2.2 gpm (8.3 L/min) at 60 psi

## CARTRIDGE

- 1255™ Duralast™ cartridge for Single-Handle Faucets

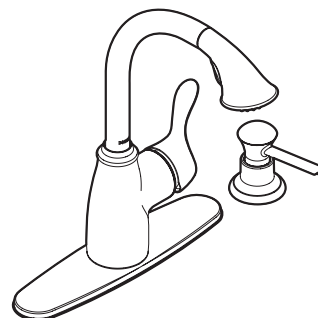
## STANDARDS

- Third party certified to ASME A112.18.1/CSA B125.1 and all applicable requirements referenced therein including NSF 61/9
- Contains no more than 0.25% weighted average lead content
- Complies with California Proposition 65 and with the Federal Safe Drinking Water Act
- The backflow protection system in the device consists of two independently operating check valves, a primary and a secondary which prevent backflow
- ADA ♿ for lever handle

## WARRANTY

- Lifetime limited warranty against leaks, drips and finish defects to the original homeowner
- 10 year limited warranty when used in a multifamily installation
- 5 year limited warranty when used in a commercial installation

Visit [www.moen.com/support](http://www.moen.com/support) for complete details and limitations



**Single Handle High Arc Pulldown Kitchen Faucet**

**Models:** CA87054 series

**NOTE:** THIS FAUCET IS DESIGNED TO BE INSTALLED THROUGH 1, 3 or 4 HOLES, 1-1/2" (38mm) MIN. DIA. (1 HOLE FOR SOAP DISPENSER) (Model with soap dispenser effective prior to April 2016)

