



Buy it for looks. Buy it for life.®

Specifications

FAUCET DESCRIPTION

- Metal construction with various finishes identified by suffix
- 1/2" IPS connections will accept standard ball nose connection for 3/8" tubing
- Includes hose and Protégé side spray

OPERATION

- Lever style handles with inserts
- Hot side counterclockwise to open (clockwise to close)
- Cold side clockwise to open (counterclockwise to close)

FLOW

- Aerator is limited to 2.0 gpm max (7.6 L/min)

CARTRIDGE

- 1224 cartridge design
- Nonmetallic and stainless steel material

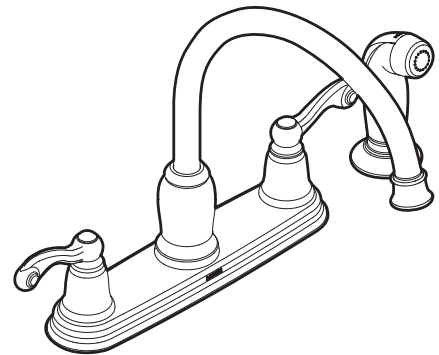
STANDARDS

- Contains no more than 0.25% weighted average lead content
- Third party certified to ASME A112.18.1/CSA B-125.1 and all applicable requirements referenced therein including NSF 61/9
- Meets Georgia SB370 requirements
- Complies with California Proposition 65 and with the Federal Safe Water Drinking Act

- **ADA**  for lever handle

WARRANTY

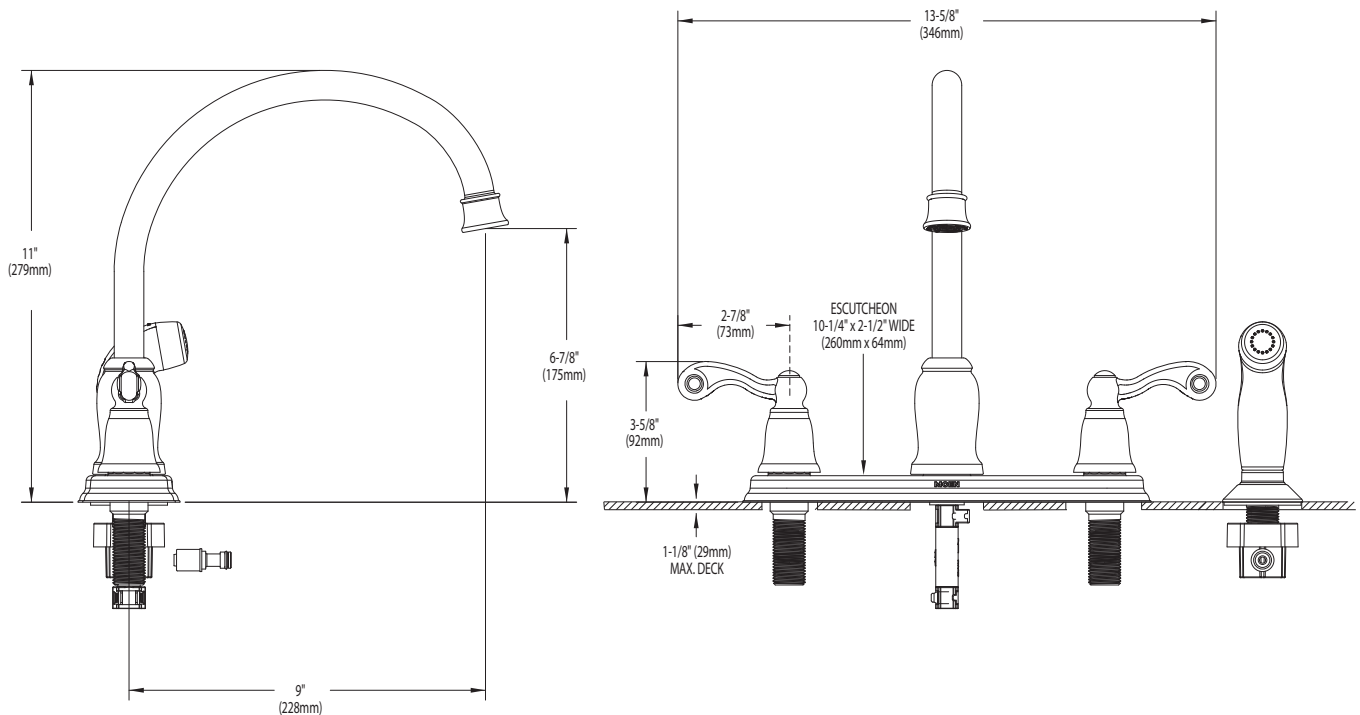
- Lifetime limited warranty against leaks, drips and finish defects to the original consumer purchaser
- 5 year warranty if used in commercial installations



Two-Handle High Arc Spout Lever Style Kitchen Faucet with Protégé Side Spray

Models: CA87004 series

NOTE: This faucet is designed to be installed through 4 holes 1" Min. Dia.



CRITICAL DIMENSIONS

(DO NOT SCALE)