

FAUCET DESCRIPTION

- Chrome plated metal construction
- Copper or brass waterways
- 1/2" IPS connections
- Includes metal pop-up type waste assembly where noted
- Supplied with vandal resistant screw

OPERATION

- Lever style handle with hot and cold color indicators

FLOW

- Aerator is limited to 2.2 gpm max (8.3 L/min)

CARTRIDGE

- 1225 cartridge design
- Nonmetallic/nonferrous and stainless steel material

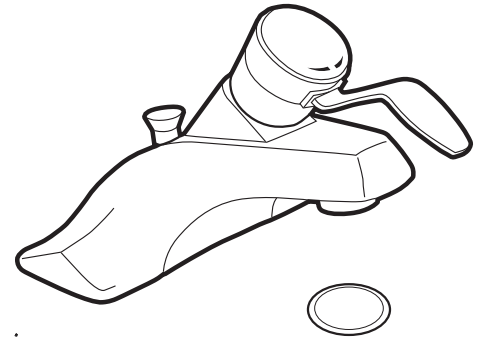
STANDARDS

- Third party certified to: ASME A112.18.1/CSA B-125.1 and all applicable requirements referenced therein including NSF61/9
- Contains no more than 0.25% weighted average lead content
- Complies with California Proposition 65 and with the Federal Safe Water Drinking Act

- **ADA**  for lever handle

WARRANTY

- Warranted for 5 years against material or manufacturing defects

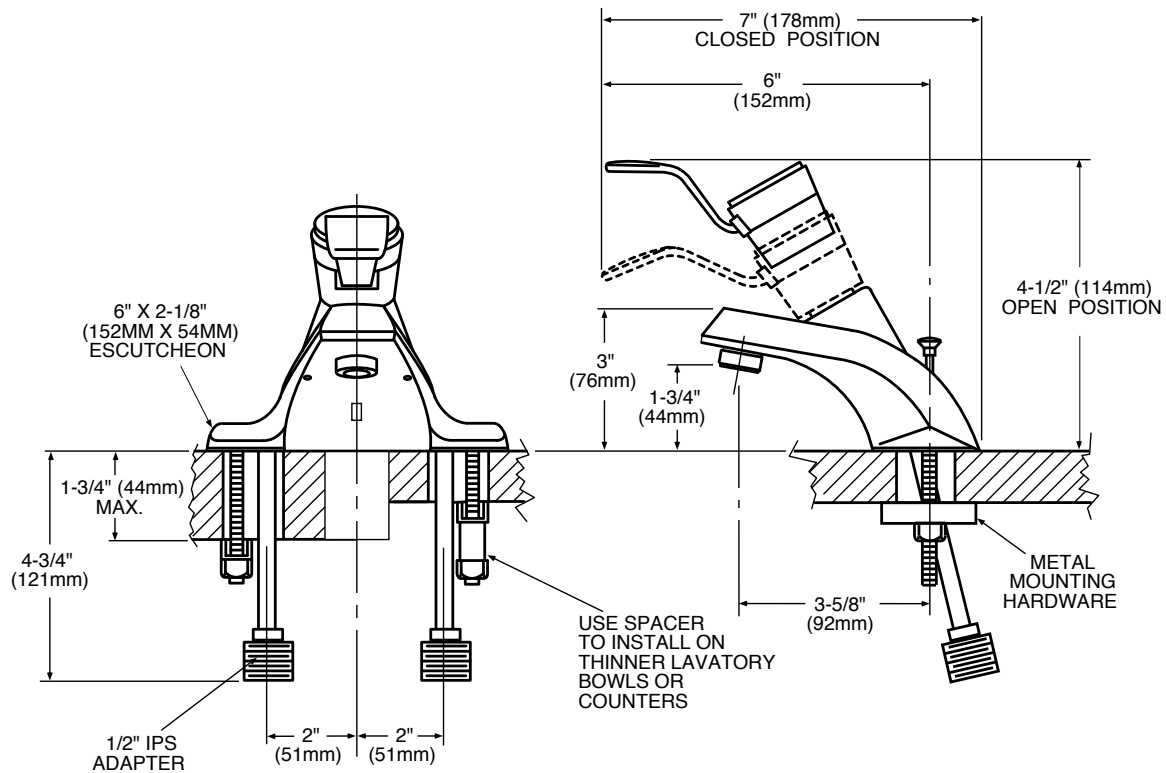


Single-Handle Lavatory Faucet With Pop-Up Waste Assembly

**Model: CA8475 with metal waste
CA8470 less waste**



**NOTE: DESIGNED TO INSTALL THROUGH
3-1" MIN. DIA. HOLES. 2" ON CENTER**



CRITICAL DIMENSIONS

(DO NOT SCALE)