

## FAUCET DESCRIPTION

- Chrome plated metal construction
- 1/2" IPS connections
- Copper or brass waterways
- Includes metal pop-up type waste assembly where noted
- Supplied with vandal resistant screw

## OPERATION

- Lever style (Easy Grip) handle with hot and cold color indicators

## FLOW

- Aerator is limited to 2.2 gpm max (8.3 L/min)

## CARTRIDGE

- 1225 cartridge design
- Nonmetallic/nonferrous and stainless steel material

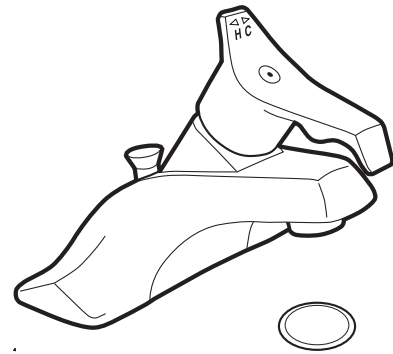
## STANDARDS

- Third party certified to: ASME A112.18.1/CSA B-125.1 and all applicable requirements referenced therein including NSF61/9
- Contains no more than 0.25% weighted average lead content
- Complies with California Proposition 65 and with the Federal Safe Water Drinking Act

- ADA  for lever handle

## WARRANTY

- Warranted for 5 years against material or manufacturing defects

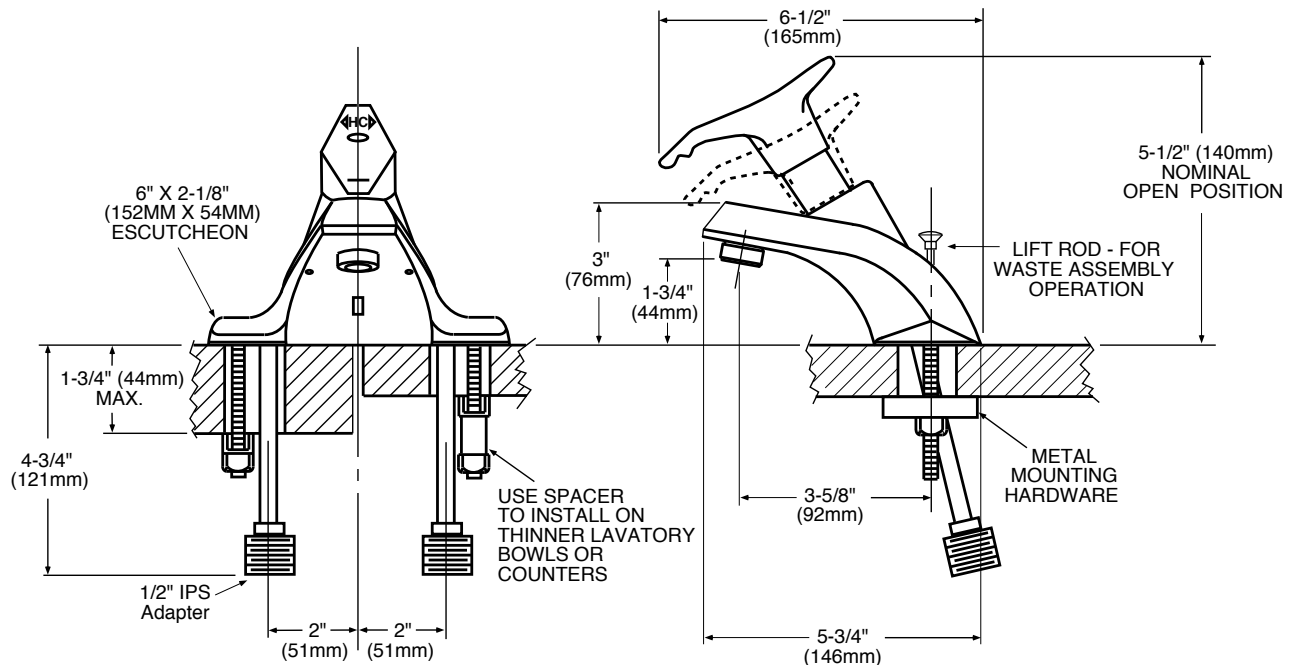


## Single-Handle Lavatory Faucet With Pop-Up Waste Assembly

Model: CA8465 with metal waste  
CA8460 less waste



**NOTE:** DESIGNED TO INSTALL THROUGH  
3-1" MIN. DIA. HOLES. 4" ON CENTER



## CRITICAL DIMENSIONS

(DO NOT SCALE)