

FAUCET DESCRIPTION

- Chrome plated brass construction
- 1/2" IPS adapters
- Includes metal pop-up type waste where noted
- Supplied with vandal resistant screws

OPERATION

- Lever style handle with hot and cold color indicators
- Lift-on/Push-off
- Temperature controlled by 180° arc of handle travel

FLOW

- 2.0 MAX. gpm (7.6 L/min) aerator

CARTRIDGE

- 1225 cartridge design
- Nonmetallic/nonferrous and stainless steel material

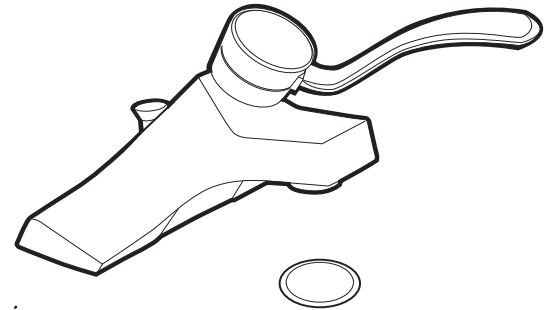
STANDARDS

- Third party certified to: ASME A112.18.1/CSA B-125.1 and all applicable requirements referenced therein including NSF61/9
- Contains no more than 0.25% weighted average lead content
- Complies with California Proposition 65 and with the Federal Safe Water Drinking Act

- **ADA**  for lever handle

WARRANTY

- Warranted for 5 years against material or manufacturing defects



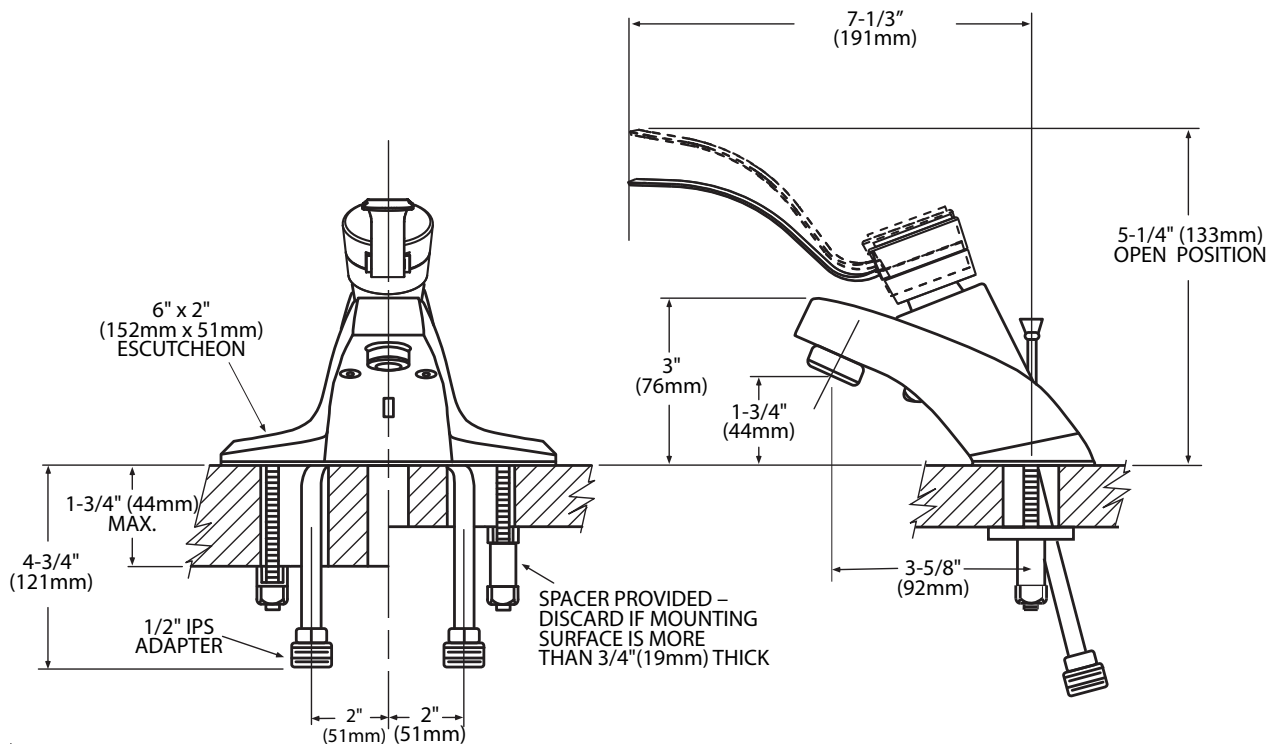
Single-Handle Lavatory Faucet w/Pop-Up Waste

Model: CA8455 with metal waste

Model: CA8450 less waste



NOTE: DESIGNED TO BE INSTALLED
THROUGH 3 HOLES 1" MIN. DIA. 2" ON CENTER



CRITICAL DIMENSIONS

(DO NOT SCALE)