



Buy it for looks. Buy it for life.®

There is more than 1 version of this model.  
Page down to identify the version you have.

**DESCRIPTION**

- Metal construction with various finishes identified by suffix
- 1/2" IPS connections

**OPERATION**

- Knob style handle
- Tilt-on/Tilt-off
- Temperature controlled through 100° degree arc of handle travel

**FLOW**

- Aerator is limited to 1.5 gpm (5.7 L/min)

**CARTRIDGE**

- 1255™ Duralast™ cartridge
- Nonmetallic/nonferrous and stainless steel material

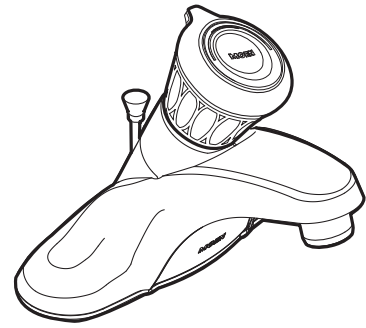
**STANDARDS**

- Third party certified to WaterSense®, CSA B125.1, ASME A112.18.1, and all applicable requirements referenced therein including NSF 61/9
- Contains no more than 0.25% weighted average lead content
- Complies with California Proposition 65 and with the Federal Safe Drinking Water Act

**WARRANTY**

- Lifetime limited warranty against leaks, drips and finish defects to the original consumer purchaser
- 5 year warranty if used in commercial installations

# Specifications



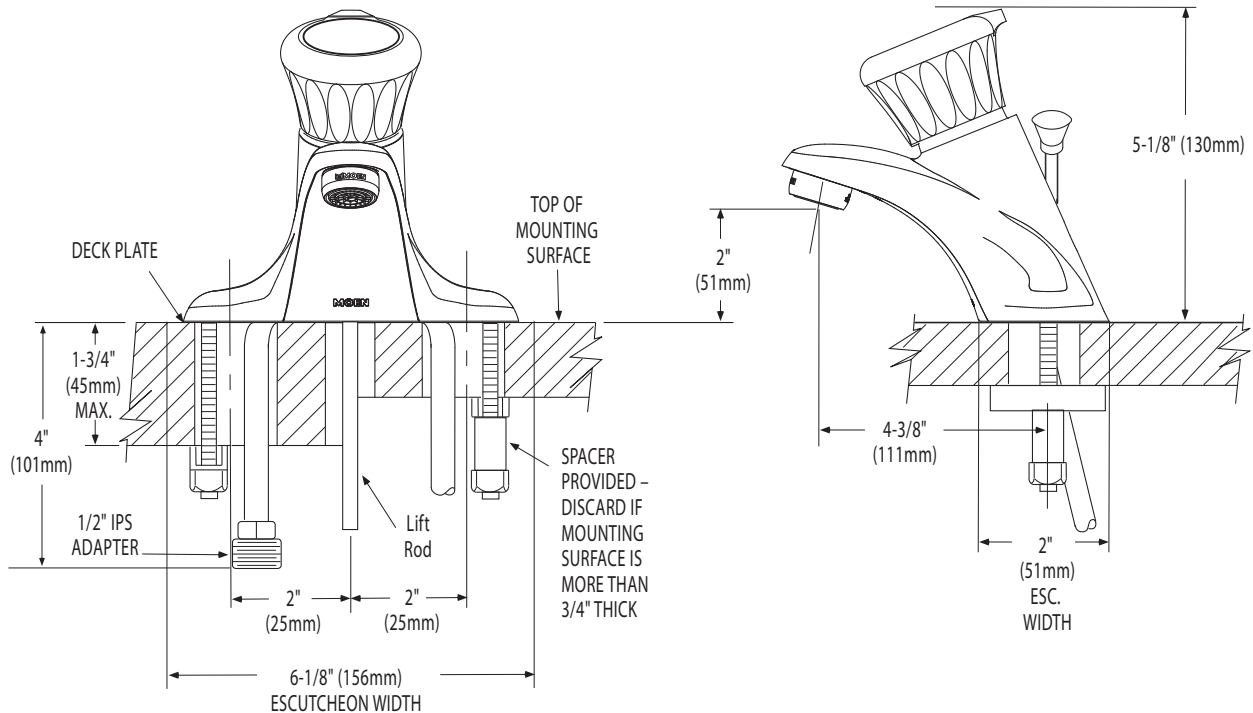
## Single-Handle Lavatory Faucet with Plastic Waste Assembly

**Model:** CA84502 series

**Less Waste**

**Model:** CA84500 series

**NOTE:** THIS FAUCET IS DESIGNED TO BE INSTALLED THRU 3-1" DIA. HOLES, 2" ON CENTER



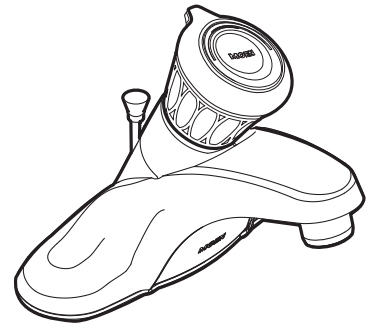
### CRITICAL DIMENSIONS

(DO NOT SCALE)



Buy it for looks. Buy it for life.®

# Specifications



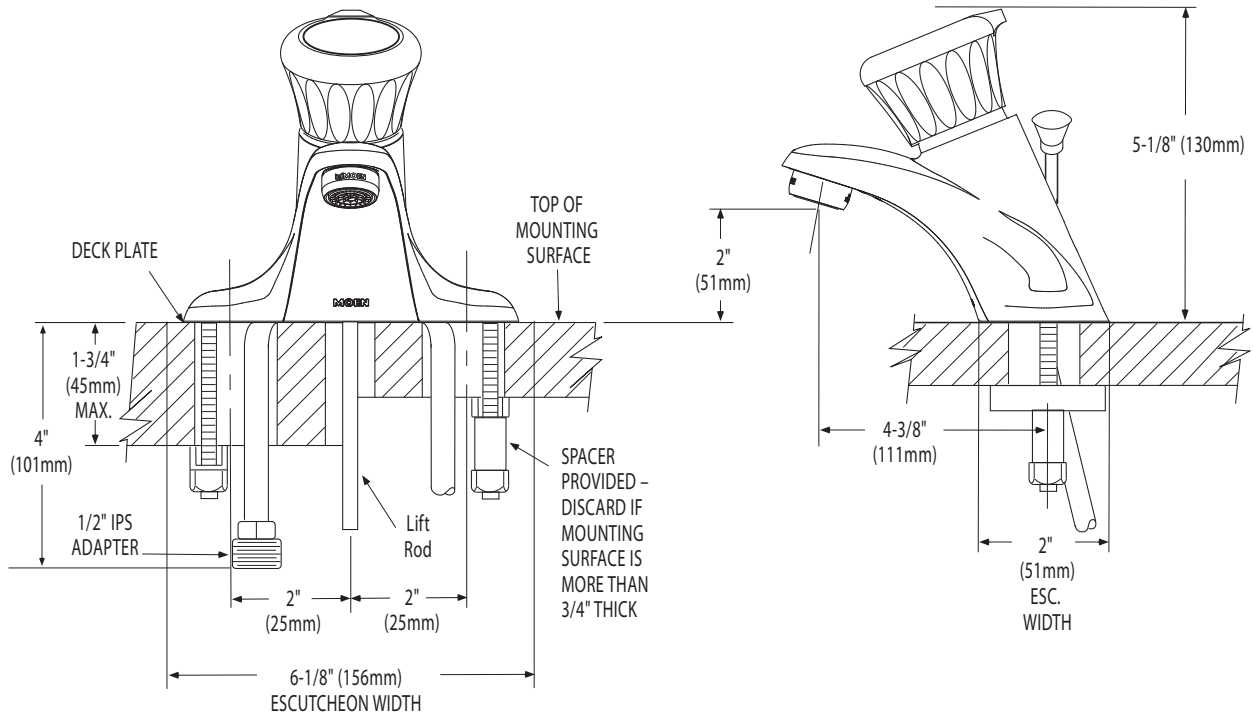
## Single-Handle Lavatory Faucet with Plastic Waste Assembly

Model: CA84502 series

**Less Waste**

Model: CA84500 series

**NOTE:** THIS FAUCET IS DESIGNED TO BE INSTALLED THRU 3-1" DIA. HOLES, 2" ON CENTER



### CRITICAL DIMENSIONS

(DO NOT SCALE)