



Buy it for looks. Buy it for life.®

Specifications

DESCRIPTION

- Metal construction with various finishes identified by suffix
- 1/2" IPS connections
- Includes hot and cold indicators
- Includes pop-up type waste assembly

OPERATION

- Lever style Porcelain handles
- Maximum handle rotation angle is 180° to full on for either handle.
- Hot side counterclockwise to open (clockwise to close).
- Cold side clockwise to open (counterclockwise to close).


FLOW

- Aerator is limited to 1.5 gpm (5.7 L/min)

CARTRIDGE

- 1224 Cartridge design
- Nonmetallic and stainless steel material

STANDARDS

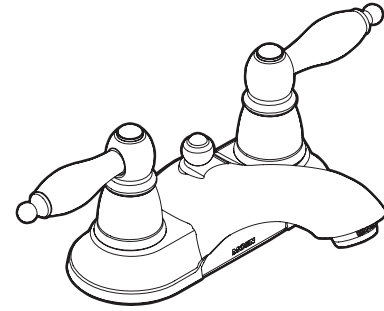
- Third party certified to CSA B125.1, ASME A112.18.1, ICC A117.1 and all applicable requirements referenced therein
- Contains no more than 0.25% weighted average lead content
- Certified to ANSI/NSF 61/9
- Complies with California Proposition 65 and with the Federal Safe Drinking Water Act
- **ADA**  for lever handles

WARRANTY

- Lifetime limited warranty against leaks, drips and finish defects to the original consumer purchaser
- 5 year warranty if used in commercial installations

NOTE

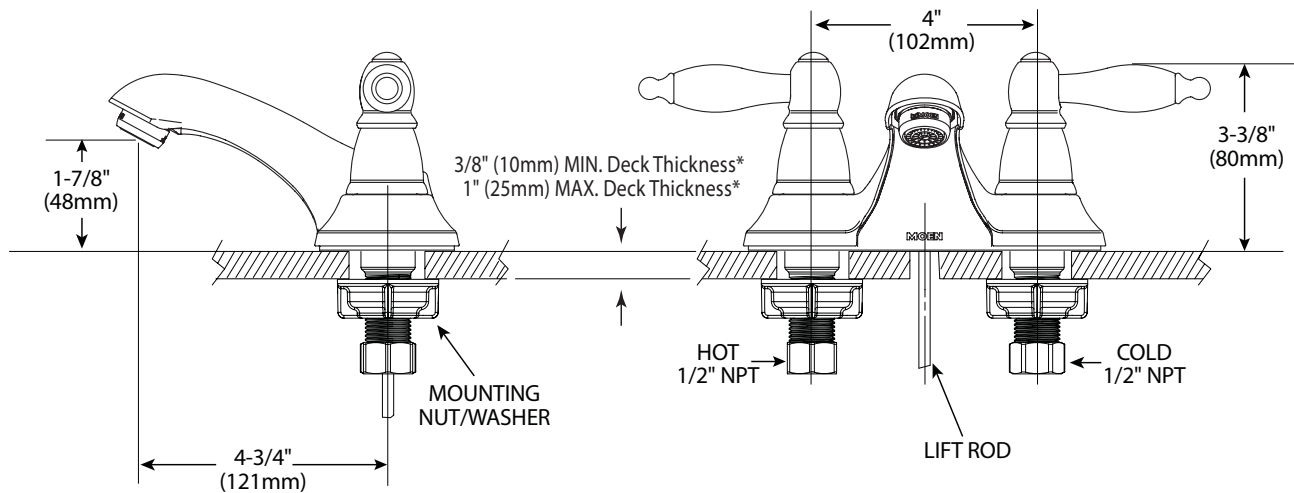
- *Service kits available for thicker or thinner deck applications. See Parts view.



Two Handle Lavatory Faucet with Waste Assembly

Models: CA84429 series

NOTE: THIS FAUCET IS DESIGNED TO BE INSTALLED THRU 3 HOLES, 1" (25mm) MIN. DIA.



CRITICAL DIMENSIONS

(DO NOT SCALE)

FOR MORE INFORMATION CALL: 1-800-BUY-MOEN

www.moen.com