



Buy it for looks. Buy it for life.®

Specifications

DESCRIPTION

- Metal construction with various finishes identified by suffix
- 1/2" IPS connections
- Includes hot (red) and cold (blue) color indicators
- Includes 50/50 pop-up type waste assembly on 80000 series models

OPERATION

- Lever style handles
- Maximum handle rotation angle is 90° to full on for either handle

FLOW

- Aerator is limited to 1.5 gpm max (5.7L/min)

CARTRIDGE

- 1224 cartridge design
- Nonmetallic and stainless steel material

STANDARDS

- Third party certified to CSA B125.1, ASME A112.18.1, ICC A117.1 and all applicable requirements referenced therein
- Contains no more than 0.25% weighted average lead content
- Certified to ANSI/NSF 61/9
- Complies with California Proposition 65 and with the Federal Safe Drinking Water Act

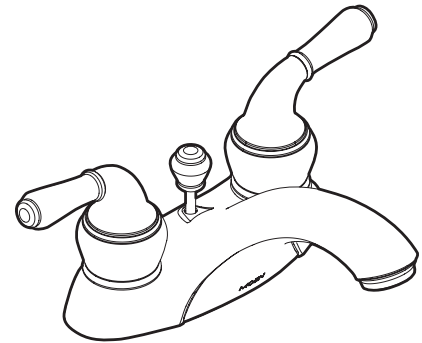
- **ADA**  for lever handles

WARRANTY

- Lifetime limited warranty against leaks, drips and finish defects to the original consumer purchaser
- 5 year warranty if used in commercial installations

NOTE

- *Service kits available for thicker or thinner deck applications. See Parts view.

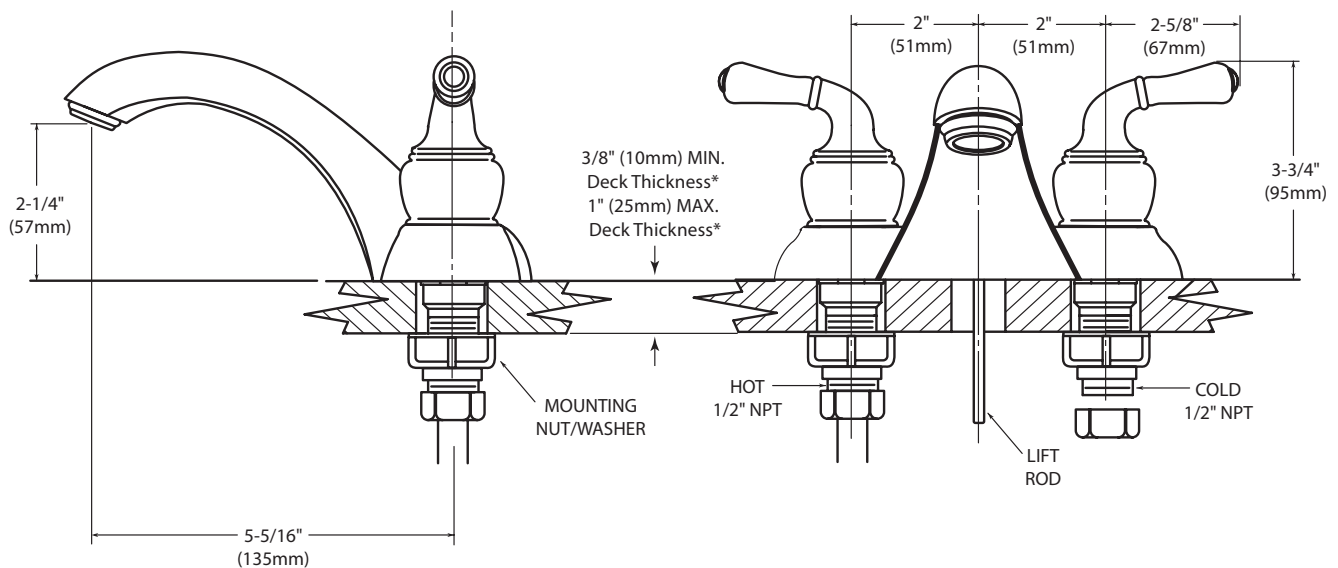


MONTICELLO® 4" Lavatory Faucet

(Handle Inserts included on 80000 series models)

Models: CA84200 series, CA84206 series

NOTE: THIS FAUCET IS DESIGNED TO BE INSTALLED THRU 3 HOLES, 1" MIN. DIA.



CRITICAL DIMENSIONS

(DO NOT SCALE)

FOR MORE INFORMATION CALL: 1-800-BUY-MOEN

www.moen.com