

FAUCET DESCRIPTION

- Solid brass construction
- Chrome finish
- 3/8" compression x 15" stainless steel supply lines

OPERATION

- 6" lever handle w/red and blue temperature indicators
- Temperature controlled by 110° arc of handle travel

FLOW

- Aerator is limited to 2.2 gpm max (8.3 L/min)

CARTRIDGE

- 121549 ceramic disc cartridge
- Nonmetallic/nonferrous and ceramic material

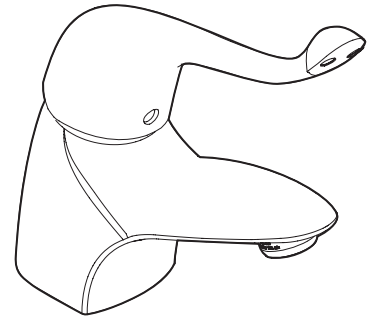
STANDARDS

- Third party certified to CSA B125, ASME A112.18.1M, ANSI A117.1, and all applicable requirements referenced therein
- Contains no more than 0.25% weighted average lead content
- Certified to ANSI/NSF 61/9
- Complies with California Proposition 65 and with the Federal Safe Drinking Water Act

WARRANTY

- Warranted for 5 years against materials or manufacturing defects

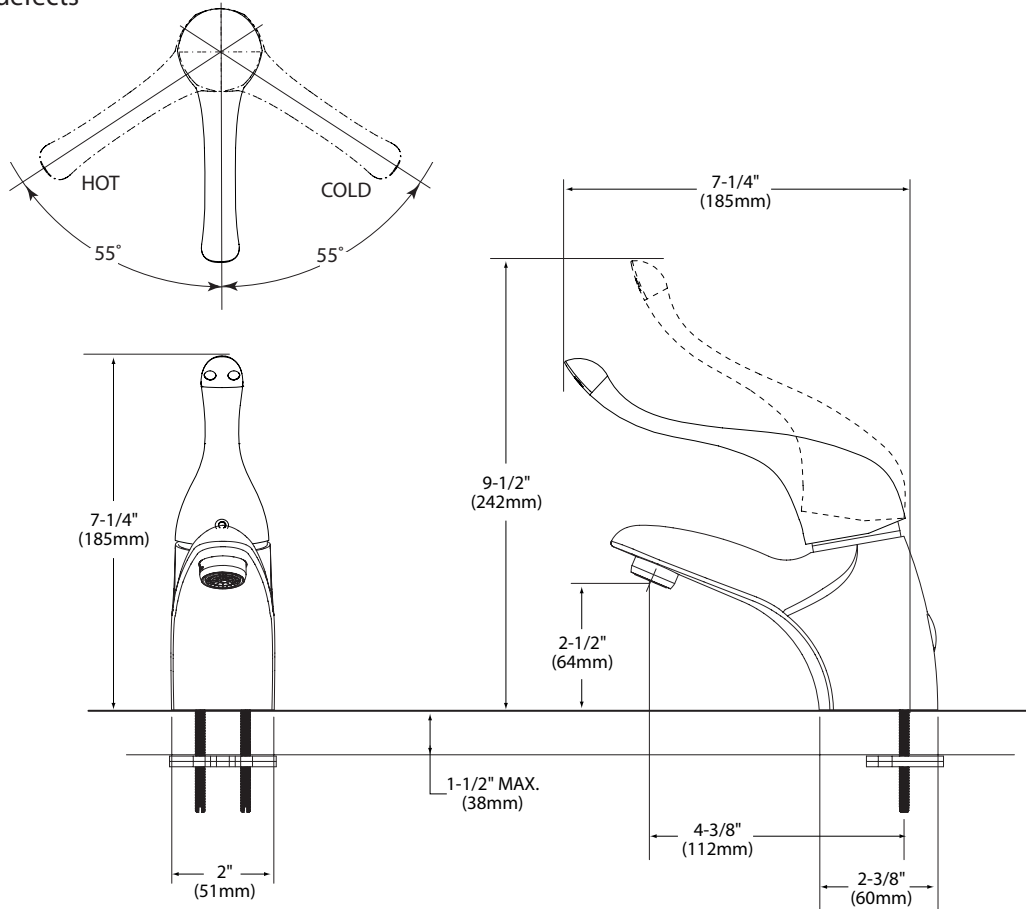
ADA 



**Single Handle Lavatory Faucet
Less Drain**

Model: CA8418

NOTE: THIS FAUCET IS DESIGNED TO BE INSTALLED THROUGH 1 HOLE 1-3/8" MIN. DIA.



CRITICAL DIMENSIONS

(DO NOT SCALE)