



Buy it for looks. Buy it for life.®

*There is more than 1 version of this model.*

*Page down to identify the version you have.*

**DESCRIPTION**

- Metal construction with various finishes identified by suffix
- Includes plastic pop-up waste assembly
- Flexible supply lines with 3/8" fittings connect directly to supply stops

**OPERATION**

- Pivot action lever style handle


**FLOW**

- Water usage is limited to these maximum flow rates as indicated by the corresponding product markings
  - ° 1.2 gpm max (4.5L/min) at 60 psi
  - ° 1.5 gpm max (5.7L/min) at 60 psi

**CARTRIDGE**

- 1255™ Duralst™ cartridge for Single-Handle Faucets
- Engineered polymers, non-ferrous and stainless steel materials

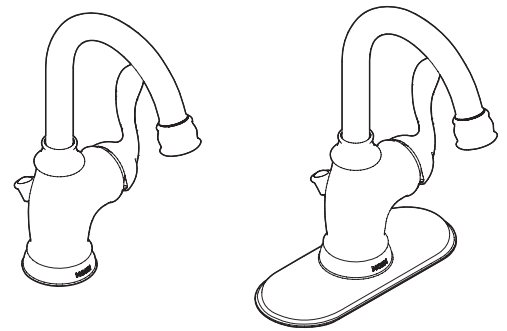
**STANDARDS**

- Third party certified to WaterSense,® ASME A112.18.1/CSA B125.1, and all applicable requirements referenced therein
- Certified to NSF 61/9 & 372
- Products marked with 1.2 gpm are compliant with California water efficiency regulations
- Complies with California Proposition 65 and with the Federal Safe Drinking Water Act
- ADA  for lever handles

**WARRANTY**

- Limited lifetime warranty against leaks, drips and finish defects to the original consumer purchaser
- 5 year warranty if used in commercial installations

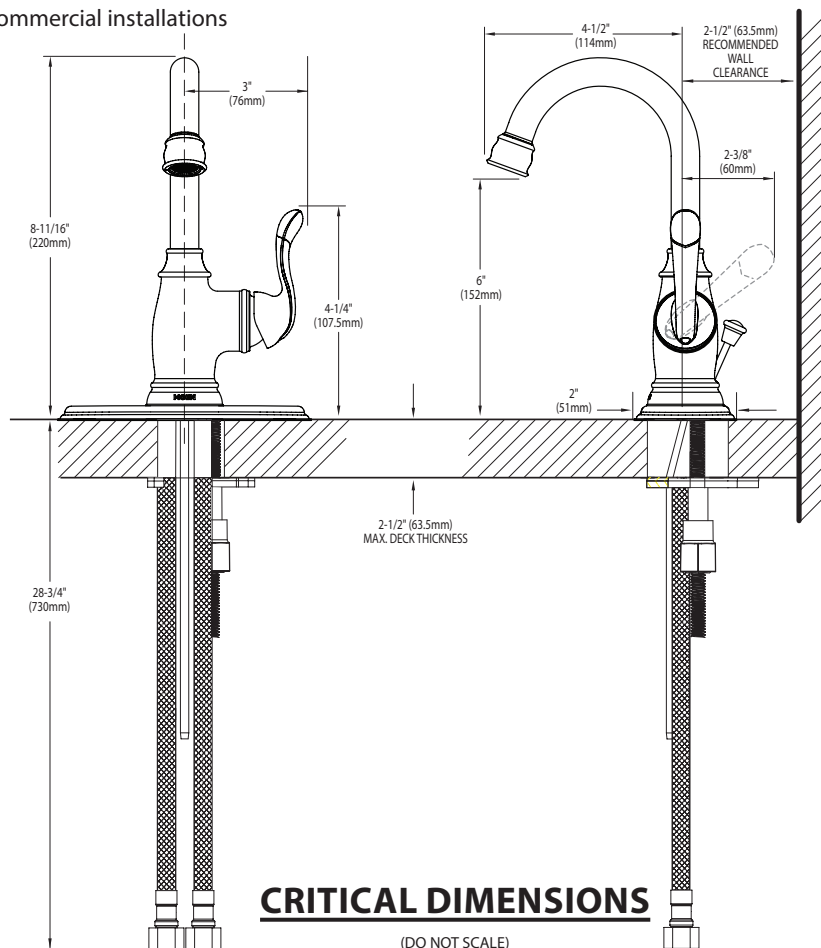
# Specifications



## ANABELLE™ Single-Handle Lavatory Faucet

**Model:** CA84050 series

**NOTE:** THIS FAUCET IS DESIGNED TO BE INSTALLED THROUGH 1 OR 3 HOLES 1-1/4" (32mm) MIN. DIA.





Buy it for looks. Buy it for life.®

**DESCRIPTION**

- Metal construction with various finishes identified by suffix
- Includes plastic pop-up waste assembly
- Flexible supply lines with 3/8" fittings connect directly to supply stops

**OPERATION**

- Pivot action lever style handle


**FLOW**

- Water usage is limited to these maximum flow rates as indicated by the corresponding product markings
  - 1.2 gpm max (4.5L/min) at 60 psi
  - 1.5 gpm max (5.7L/min) at 60 psi

**CARTRIDGE**

- 1255™ Duralst™ cartridge for Single-Handle Faucets
- Engineered polymers, non-ferrous and stainless steel materials

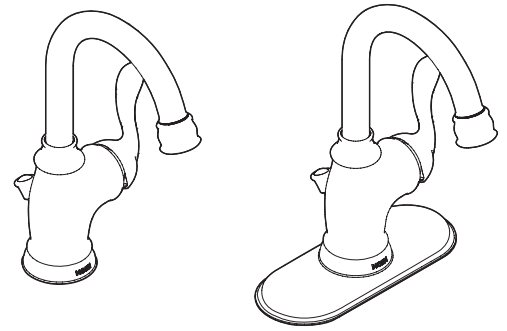
**STANDARDS**

- Third party certified to WaterSense,® ASME A112.18.1/CSA B125.1, and all applicable requirements referenced therein
- Certified to NSF 61/9 & 372
- Products marked with 1.2 gpm are compliant with California water efficiency regulations
- Complies with California Proposition 65 and with the Federal Safe Drinking Water Act
- ADA  for lever handles

**WARRANTY**

- Limited lifetime warranty against leaks, drips and finish defects to the original consumer purchaser
- 5 year warranty if used in commercial installations

# Specifications



## ANABELLE™ Single-Handle Lavatory Faucet

**Model:** CA84050 series

**NOTE:** THIS FAUCET IS DESIGNED TO BE INSTALLED THROUGH 1 OR 3 HOLES 1-1/4" (32mm) MIN. DIA.

