

DESCRIPTION

- Brass construction with chrome plated finish
- 1/2" IPS connections
- 8" centers
- Vandal resistant torx head screws

OPERATION

- Wrist blade style handles with hot and cold color indicators

FLOW


- Optional kit included with faucet - 2.0 gpm plain end laminar outlet with flow control device in spout

CARTRIDGE

- Brass shell, ceramic disc cartridge
- 1/4 turn operation

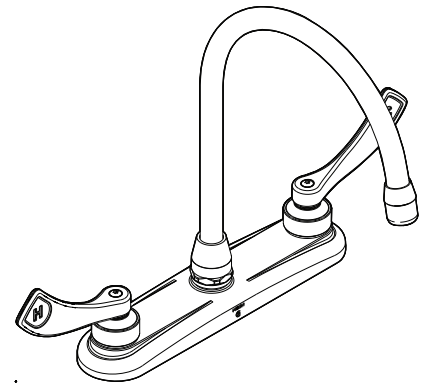
STANDARDS

- Third party certified to ASME A112.18.1M/CSA B-125 and all applicable requirements referenced therein including NSF 61/9
- Contains no more than 0.25% weighted average lead content
- Complies with California Proposition 65 and with the Federal Safe Water Drinking Act

- **ADA**  for lever handles

WARRANTY

- Warranted for 5 years against material or manufacturing defects

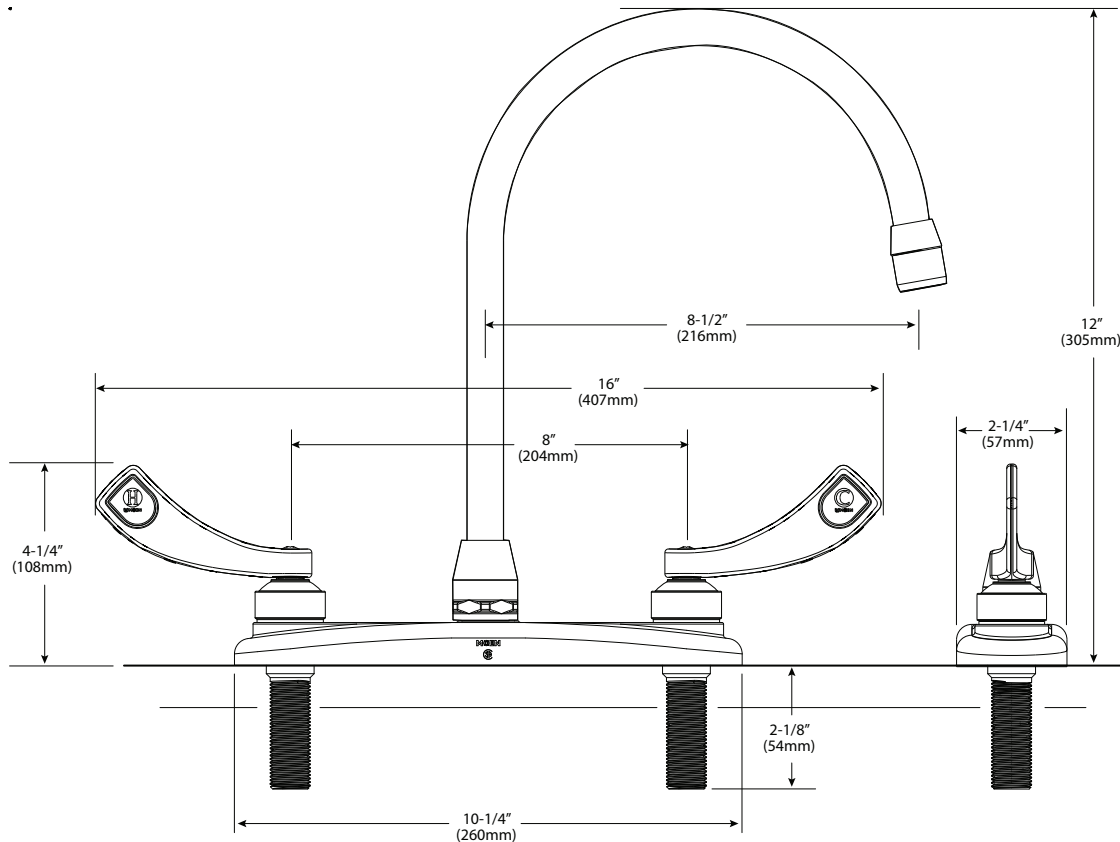


Two-Handle Kitchen Faucet

Model: CA8289



NOTE: Designed to be installed through 2 or 3 holes - 1" min. dia. and on 8" on center



CRITICAL DIMENSIONS

(DO NOT SCALE)