

## DESCRIPTION

- Brass construction with chrome plated finish
- 1/2" IPS connections
- 8" widespread

## OPERATION

- Wrist blade handles with hot and cold color indicators
- Vandal resistant torx head screws
- 1/4 turn to open (clockwise to close)

## FLOW


- Aerator is limited to 2.2GPM Max (8.34 Min.)

## CARTRIDGE

- Brass shell, ceramic disc cartridge
- Nonmetallic/nonferrous and ceramic material

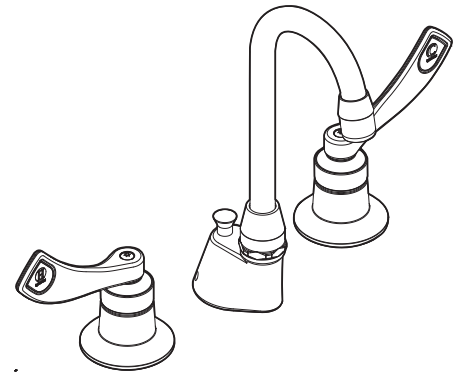
## STANDARDS

- Third party certified to ASME A112.18.1M/CSA B-125 and all applicable requirements referenced therein including NSF 61/9
- Contains no more than 0.25% weighted average lead content
- Complies with California Proposition 65 and with the Federal Safe Water Drinking Act

- **ADA**  for lever handles

## WARRANTY

- Warranted for 5 years against material or manufacturing defects

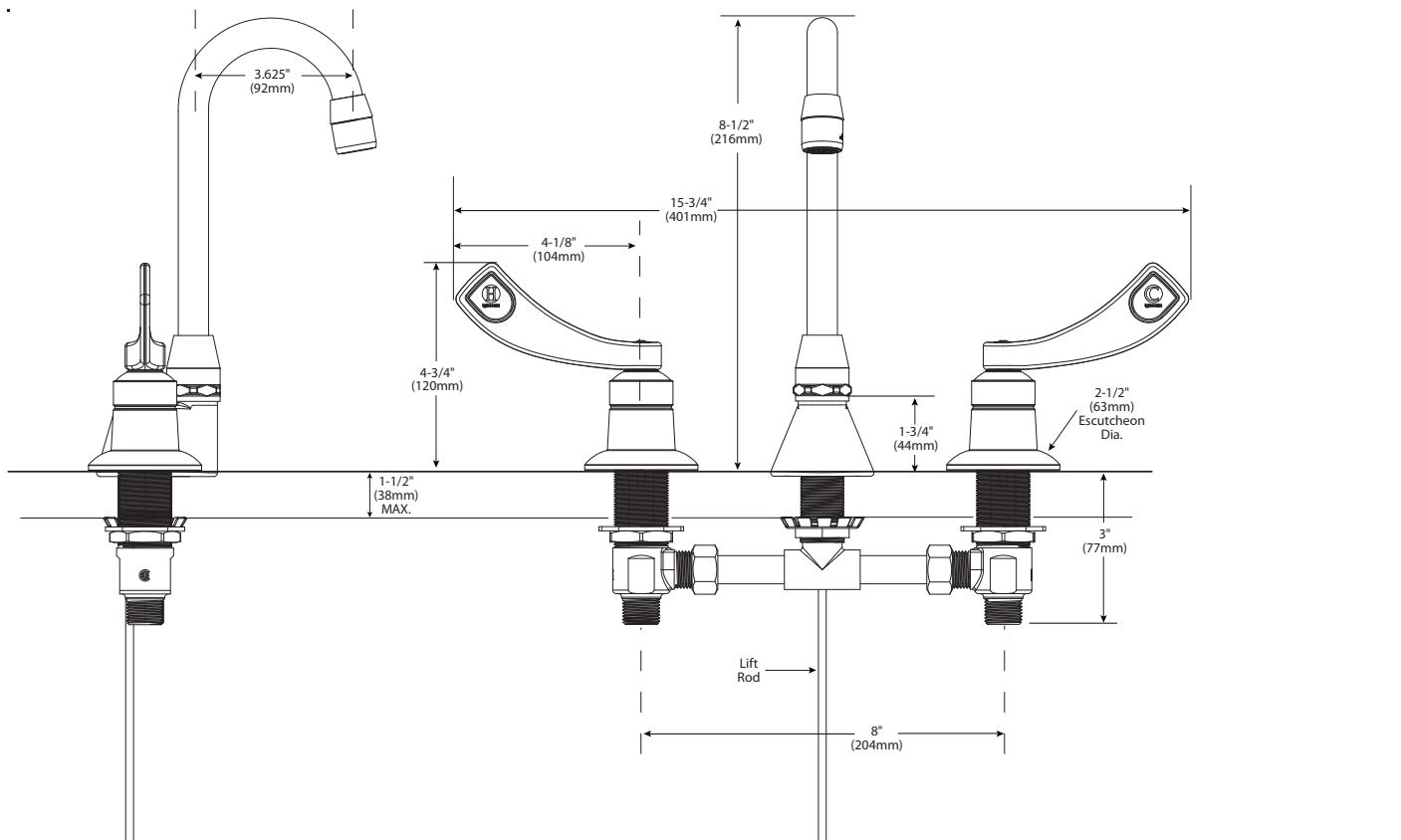


## Two-Handle Lavatory Faucet w/Metal Drain Assembly

Model: CA8246



**NOTE:** Designed to be installed through 3 holes - 1" min. dia.



## CRITICAL DIMENSIONS

(DO NOT SCALE)