

DESCRIPTION

- Brass construction with chrome plated finish
- 8" widespread
- 1/2" IPS connections

OPERATION

- Lever style handles with hot and cold color indicators
- Vandal resistant torx head screws
- 1/4 turn to open (clockwise to close)

FLOW


- Aerator is limited to 2.2gpm max (8.3L/min.)

CARTRIDGE

- Brass shell, ceramic disc cartridge
- 1/4 turn operation

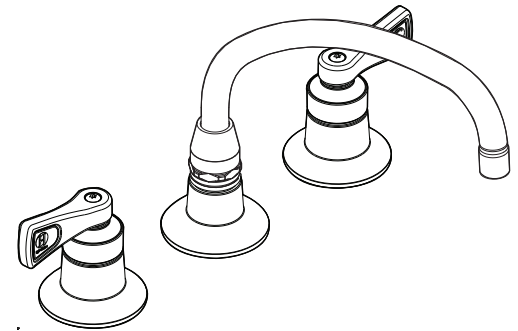
STANDARDS

- Third party certified to ASME A112.18.1M/CSA B-125 and all applicable requirements referenced therein including NSF 61/9
- Contains no more than 0.25% weighted average lead content
- Complies with California Proposition 65 and with the Federal Safe Water Drinking Act

- ADA  for lever handles

WARRANTY

- Warranted for 5 years against material or manufacturing defects

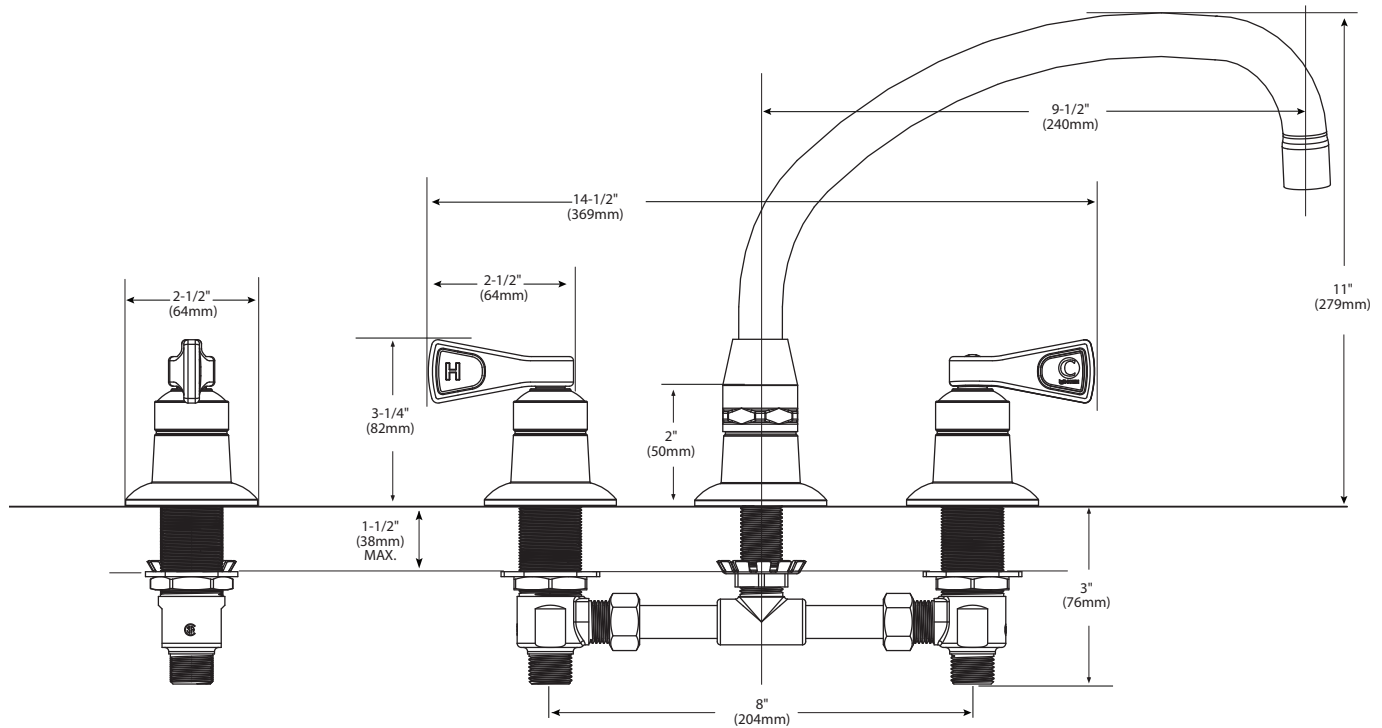


Two-Handle Lavatory Faucet with Spout

Model: CA8241



NOTE: Designed to be installed through 3 holes - 1 3/8" min. dia.



CRITICAL DIMENSIONS

(DO NOT SCALE)