

### DESCRIPTION

- Brass construction with chrome plated finish
- 1/2" IPS connections
- 8" widespread
- Vandal resistant torx head screws
- Vandal resistant aerator

### OPERATION

- Wrist blade handles with hot and cold color indicators

### FLOW


- Aerator is limited to 2.2 gpm max. (8.3 L/min)

### CARTRIDGE

- Brass shell, ceramic disc cartridge
- 1/4 turn operation

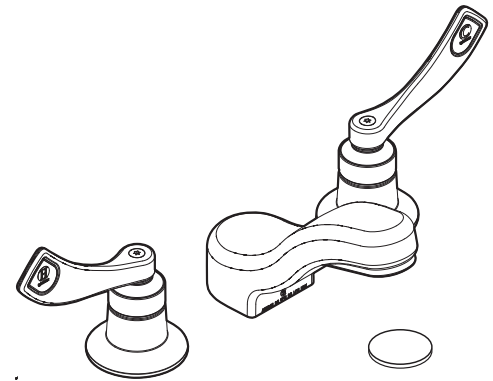
### STANDARDS

- Third party certified to ASME A112.18.1M/CSA B-125 and all applicable requirements referenced therein including NSF 61/9
- Contains no more than 0.25% weighted average lead content
- Complies with California Proposition 65 and with the Federal Safe Water Drinking Act

- ADA  for lever handles

### WARRANTY

- Warranted for 5 years against material or manufacturing defects

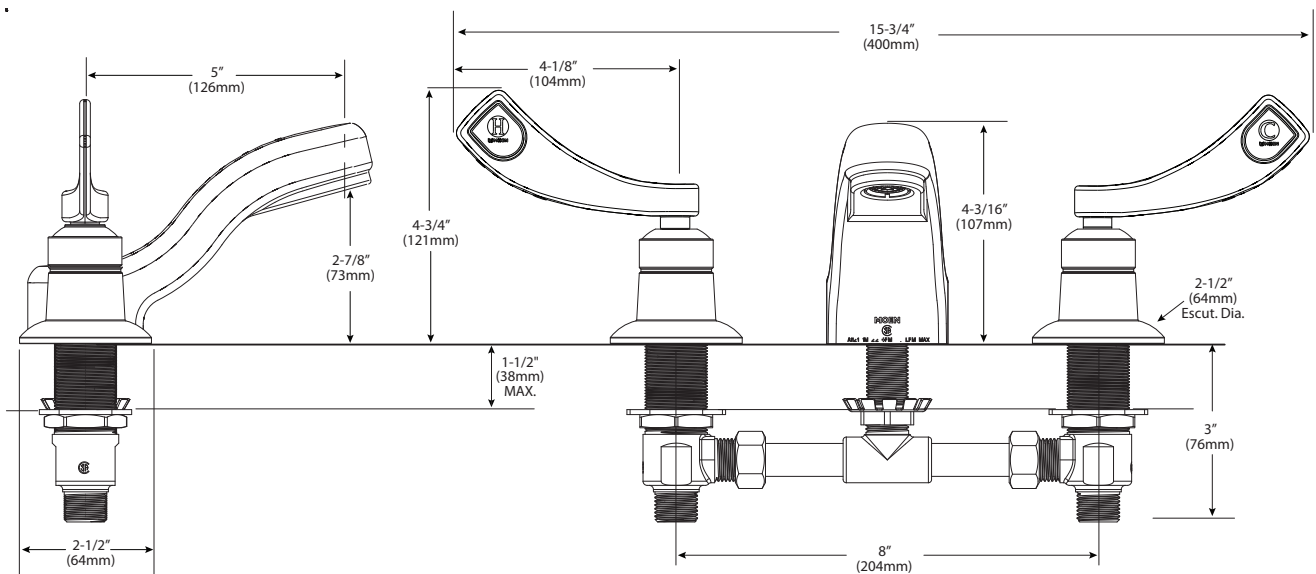


## Two-Handle Lavatory Faucet with Metal Waste Assembly

Model: CA8239



**NOTE:** Designed to be installed through 3 holes - 1" min. dia.



## CRITICAL DIMENSIONS

(DO NOT SCALE)