

DESCRIPTION

- Brass construction with chrome plated finish
- 8" widespread
- 1/2" IPS connections
- Vandal resistant torx head screws
- Vandal resistant aerator

OPERATION

- Wrist blade handles with hot and cold color indicators

FLOW


- Aerator is limited to 2.2 gpm max. (8.3 L/min)

CARTRIDGE

- Brass shell, ceramic disc cartridge
- 1/4 turn operation

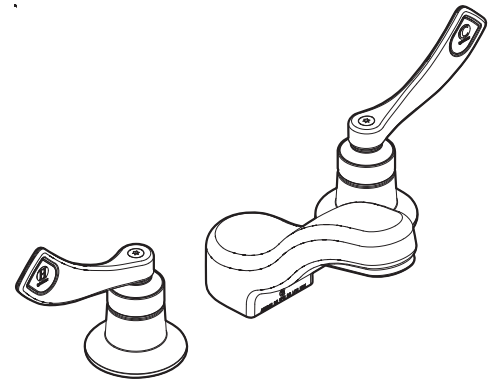
STANDARDS

- Third party certified to ASME A112.18.1M/CSA B-125 and all applicable requirements referenced therein including NSF 61/9
- Contains no more than 0.25% weighted average lead content
- Complies with California Proposition 65 and with the Federal Safe Water Drinking Act

- **ADA**  for lever handles

WARRANTY

- Warranted for 5 years against material or manufacturing defects

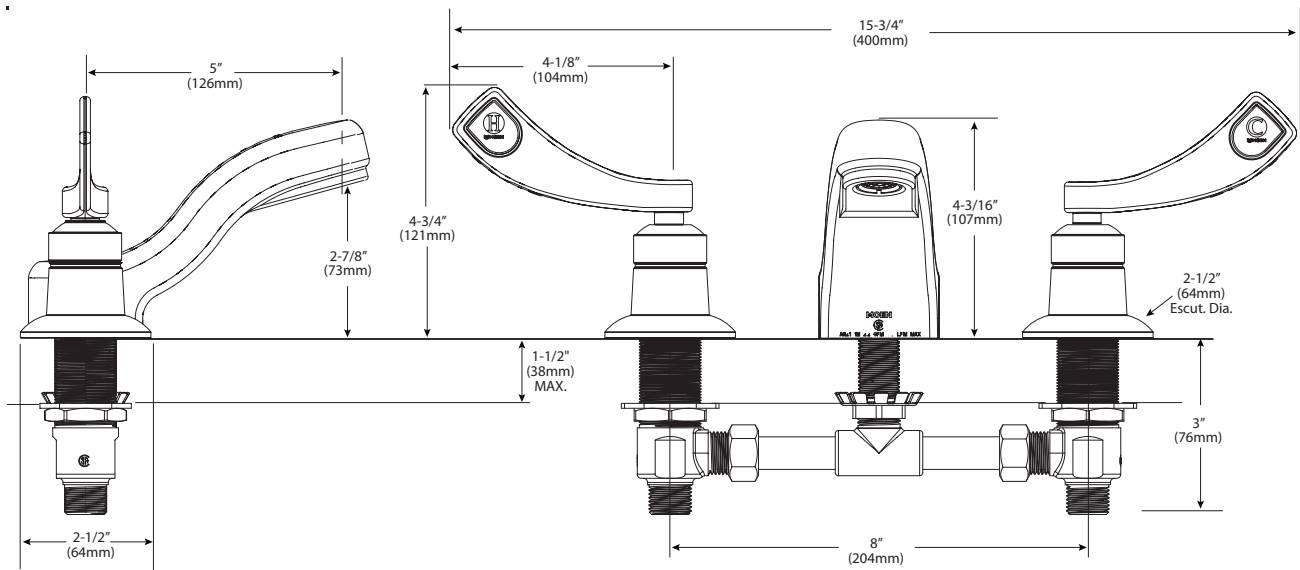


Two-Handle Lavatory Faucet

Model: CA8228



NOTE: Designed to be installed through 3 holes - 1-1/16" min. dia.



CRITICAL DIMENSIONS

(DO NOT SCALE)