

## DESCRIPTION

- Brass construction with chrome plated finish
- 4" centerset
- 1/2" IPS connections
- Vandal resistant torx head screws
- Vandal resistant aerator

## OPERATION

- Wrist Blade handles with hot and cold color indicators

## FLOW


- Aerator is limited to .5 gpm max. (8.3 L/min)

## CARTRIDGE

- Brass shell, ceramic disc cartridge
- 1/4 turn operation

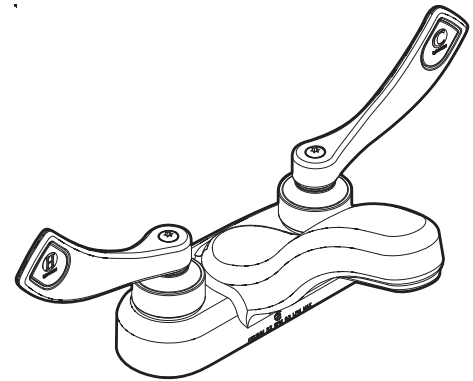
## STANDARDS

- Third party certified to ASME A112.18.1M/CSA B-125 and all applicable requirements referenced therein including NSF 61/9
- Contains no more than 0.25% weighted average lead content
- Complies with California Proposition 65 and with the Federal Safe Water Drinking Act

- **ADA**  for lever handles

## WARRANTY

- Warranted for 5 years against material or manufacturing defects

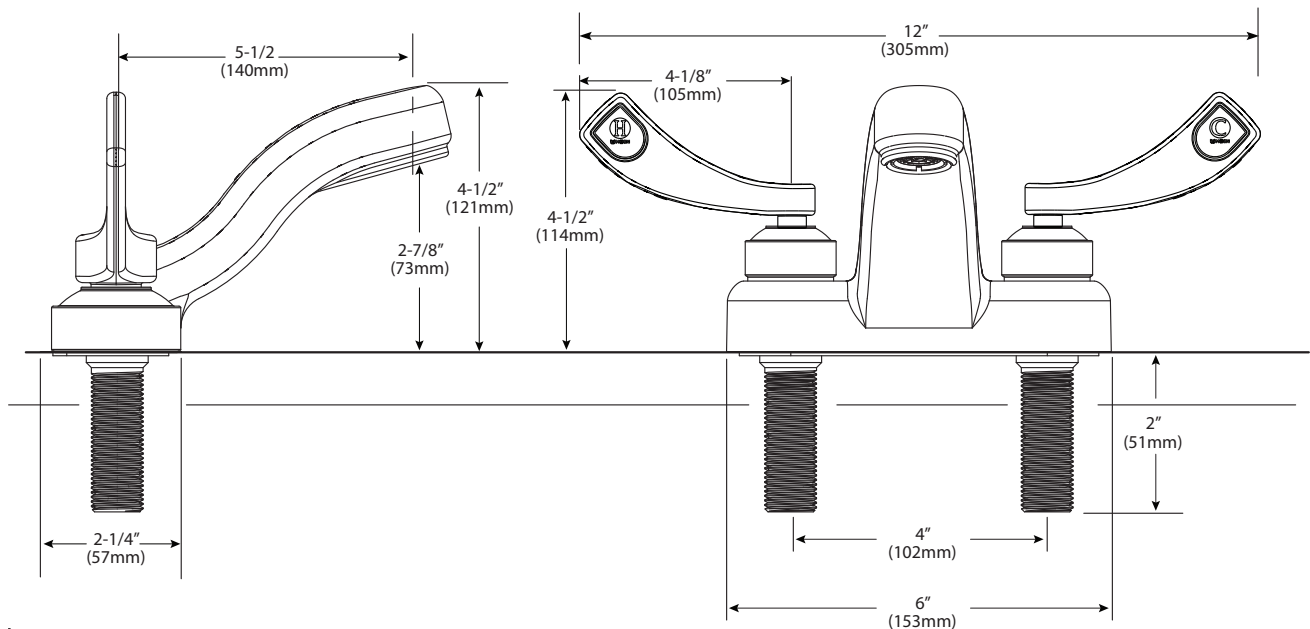


## Two-Handle Lavatory Faucet

Models: CA8217



**NOTE:** Designed to be installed through 2 holes - 1" min. dia.



## CRITICAL DIMENSIONS

(DO NOT SCALE)