

FAUCET DESCRIPTION

- Brass construction with chrome plated finish
- 4" centerset
- 1/2" IPS connections
- Vandal resistant torx head screws
- Vandal resistant aerator
- 8219 includes metal pop up drain

OPERATION

- Wrist Blade handles with hot and cold color indicators

FLOW

- Aerator is limited to 2.2 gpm max. (8.3 L/min)
- Aerator is limited to 0.5 gpm max. (1.9 L/min) for model 8217

CARTRIDGE

- Brass shell, ceramic disc cartridge
- 1/4 turn operation

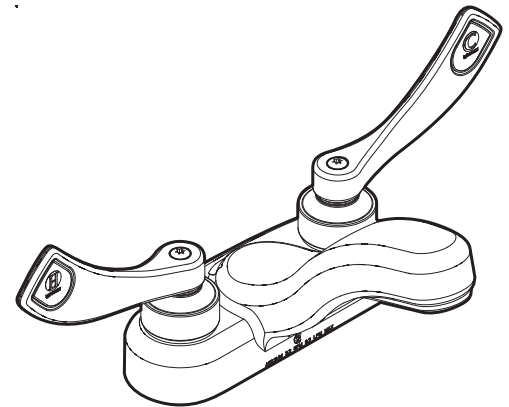
STANDARDS

- Third party certified to ASME A112.18.1M/CSA B-125 and all applicable requirements referenced therein including NSF 61/9
- Contains no more than 0.25% weighted average lead content
- Complies with California Proposition 65 and with the Federal Safe Water Drinking Act

- **ADA**  for lever handles

WARRANTY

- Warranted for five years against material or manufacturing defects



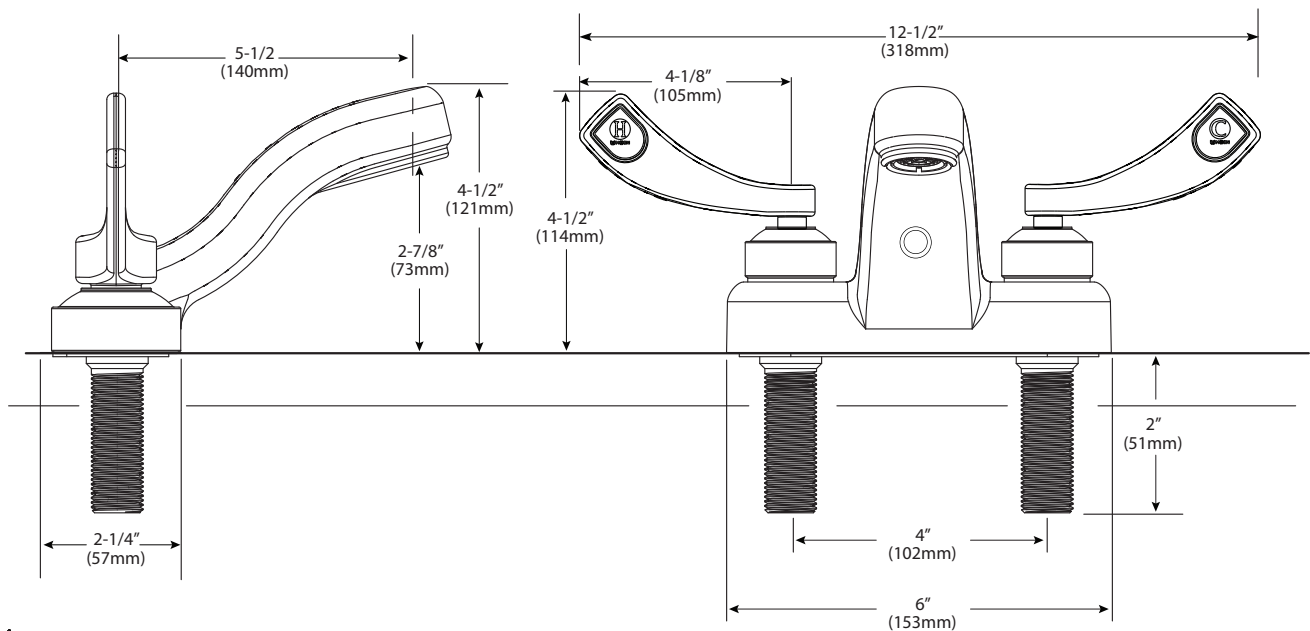
Two-Handle Lavatory Faucet

Model: CA8215, CA8217, CA8219†

† 8219 includes metal pop up drain



NOTE: Designed to be installed through 2 holes - 1" (25mm) min. dia.



CRITICAL DIMENSIONS

(DO NOT SCALE)