



# Specifications

Buy it for looks. Buy it for life.®

## DESCRIPTION

- Metal construction with various finishes identified by suffix
- Includes metal pop-up type waste assembly
- Includes optional 3 hole deck plate (escutcheon)
- Flexible supply lines with 3/8" compression fittings

## OPERATION

- Lever style handle
- Temperature controlled by 100° arc of handle travel

## FLOW

- Flow is limited to 1.5 gpm (5.7 L/min) at 60 psi

## CARTRIDGE

- 1255™ Duralast™ cartridge

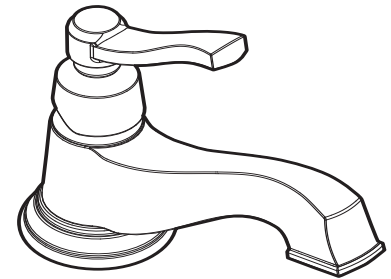
## STANDARDS

- Third party certified to WaterSense®, CSA B-125.1, ASME A112.18.1, and all applicable requirements referenced therein including NSF 61/9
- Contains no more than 0.25% weighted average lead contents
- Complies with California Proposition 65 and with the Federal Safe Drinking Water Act

- **ADA**  for lever handle

## WARRANTY

- Lifetime limited warranty against leaks, drips and finish defects to the original consumer purchaser
- 5 year warranty if used in commercial installations



## ROTHBURY™ Single-Handle Lavatory Faucet

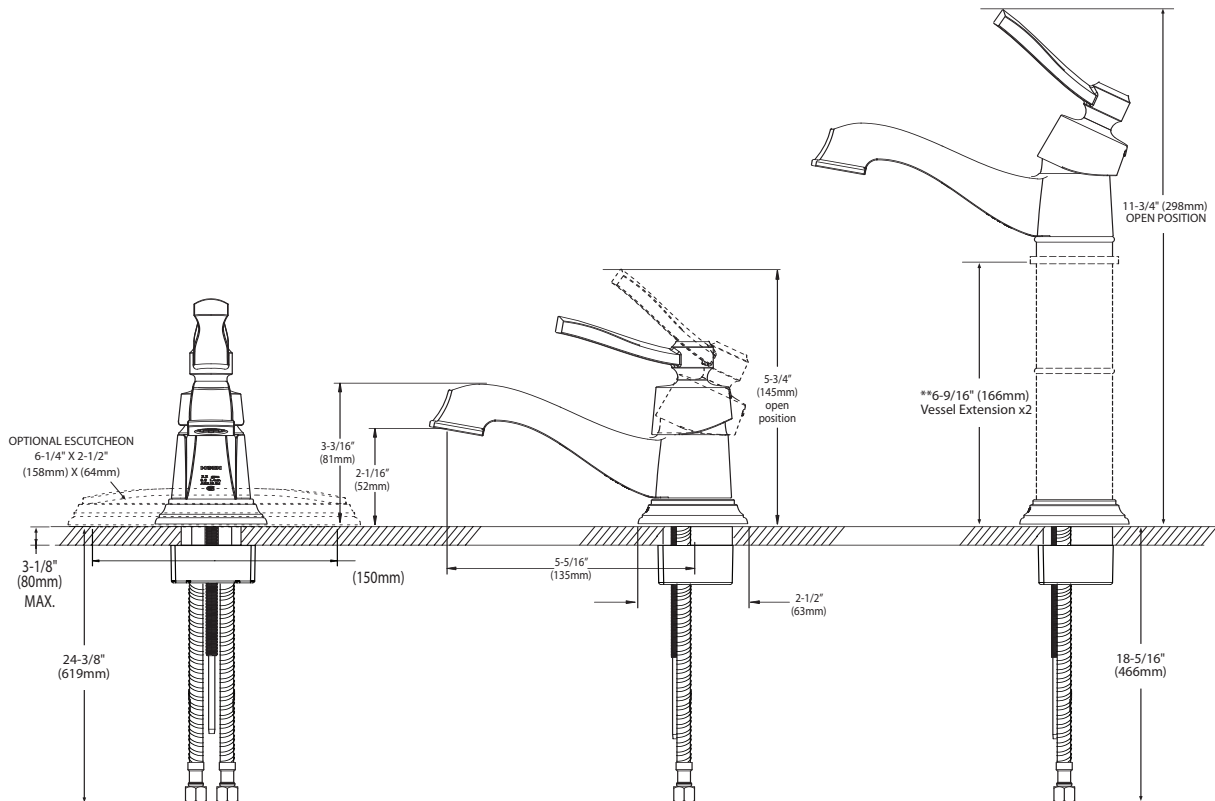
Models: CA6202 series

**NOTE:** THIS FAUCET IS DESIGNED TO BE INSTALLED THRU 1 HOLE, 1-1/8" MIN. DIA.

\*\*USE A1616 EXTENSION KIT FOR VESSEL SINK APPLICATIONS



Certified by IAPMO R&T



## CRITICAL DIMENSIONS

(DO NOT SCALE)