



Buy it for looks. Buy it for life.®

# Specifications

## DESCRIPTION

- Metal construction with various finishes identified by suffix
- 1/2" IPS connections
- Includes hot and cold indicators
- Includes metal pop-up type waste assembly

## OPERATION

- Lever style handles
- Maximum handle rotation angle is 90° to full on for either handle
- Hot side counterclockwise to open (clockwise to close)
- Cold side clockwise to open (counterclockwise to close)


## FLOW

- Flow is limited to 1.5 gpm max (5.7L/min) at 60 psi, for products made before October 2008 flow is limited to 2.2 gpm max (8.3 L/min)

## CARTRIDGE

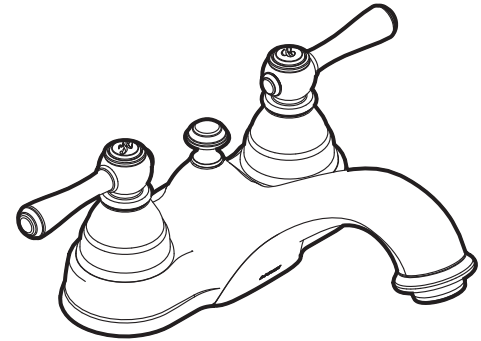
- 1224 Cartridge design
- Nonmetallic and stainless steel material

## STANDARDS

- Third party certified to WaterSense,® CSA B-125.1, ASME A112.18.1, NSF61/9 and all applicable requirements referenced therein
- Contains no more than 0.25% weighted average lead content
- Complies with California Proposition 65 and with the Federal Safe Water Drinking Act
- **ADA**  for lever handle

## WARRANTY

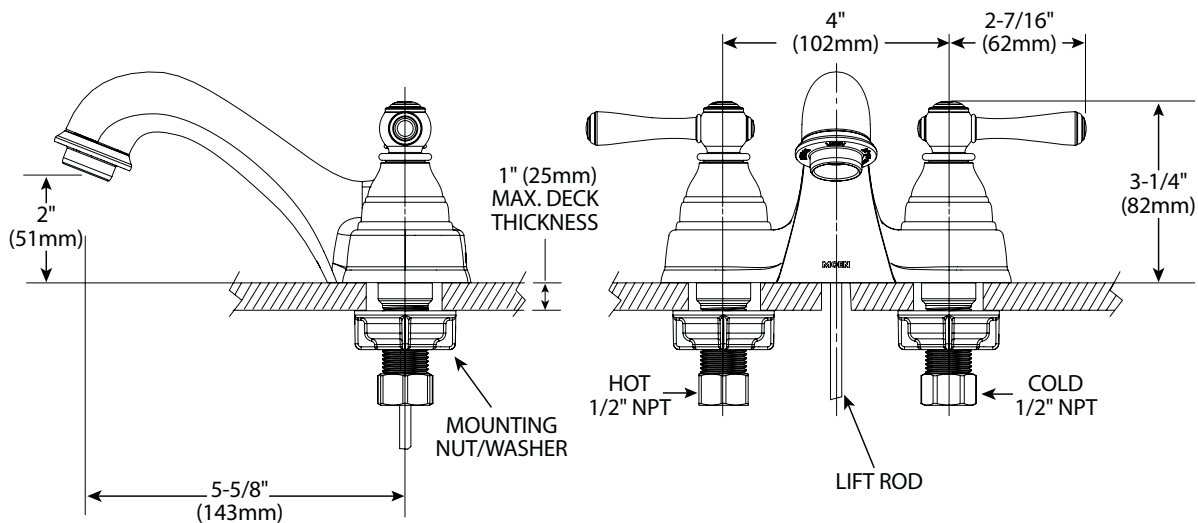
- Lifetime limited warranty against leaks, drips and finish defects to the original consumer purchaser
- 5 year warranty if used in commercial installations



**KINGSLEY™**  
**Two Handle Lavatory Faucet**

**Models:** CA6101 series

**NOTE:** THIS FAUCET IS DESIGNED TO BE INSTALLED THRU 3 HOLES, 1" (25mm) MIN. DIA.



## CRITICAL DIMENSIONS

(DO NOT SCALE)

**FOR MORE INFORMATION CALL: 1-800-BUY-MOEN**

**www.moen.com**