



Buy it for looks. Buy it for life.®

# Specifications

## DESCRIPTION

- Metal construction with various finishes identified by suffix
- 1/2" IPS connections
- Includes waste assembly as noted

## OPERATION

- Lever style handles with hot and cold color indicators
- Hot side counterclockwise to open (clockwise to close)
- Cold side clockwise to open (counterclockwise to close)


## FLOW

- Flow is limited to 1.5 gpm max (5.7L/min) at 60 psi, for products made before October 2008 flow is limited to 2.2 gpm max (8.3 L/min)

## CARTRIDGE

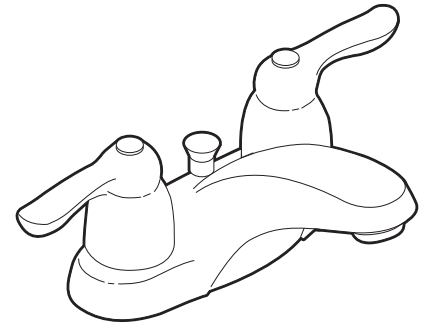
- 1224 cartridge design
- Nonmetallic and stainless steel material

## STANDARDS

- Third party certified to: WaterSense,® CSA B-125.1, ASME A112.18.1, NSF61/9 and all applicable requirements referenced therein
- Contains no more than 0.25% weighted average lead content
- Complies with California Proposition 65 and with the Federal Safe Water Drinking Act
- **ADA**  for lever handle

## WARRANTY

- Lifetime limited warranty against leaks, drips and finish defects to the original consumer purchaser
- 5 year warranty if used in commercial installations



## CHATEAU® Two-Handle Lavatory Faucet

Models: CA4925 series

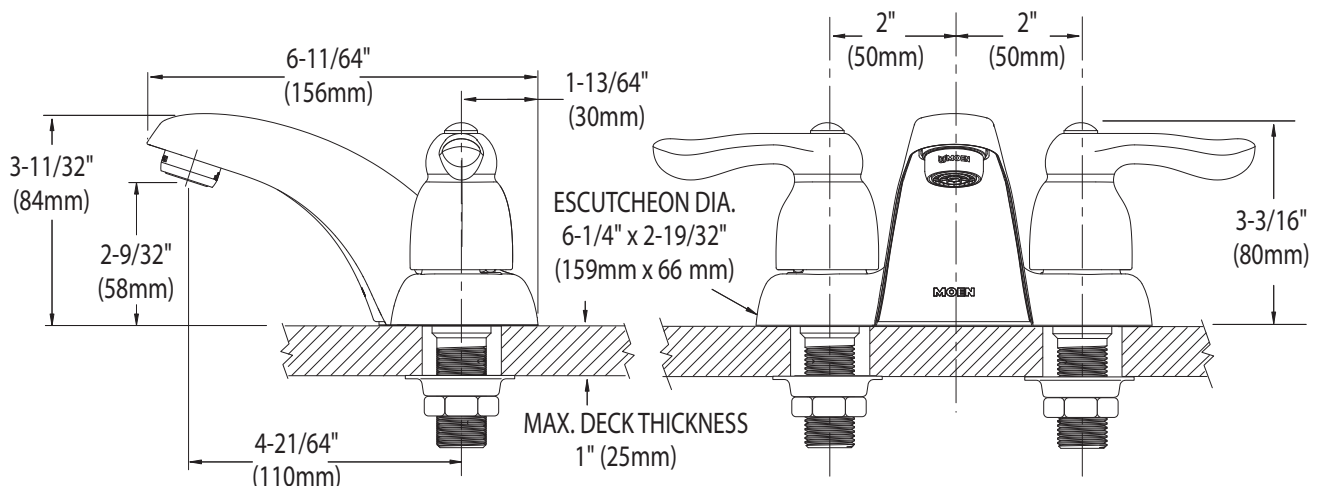
### With 50/50 Waste Assembly Bulk Pack

Model: CA64925 series

### Less Waste Bulk Pack

Model: CA64922 series

**NOTE:** DESIGNED TO BE INSTALLED THROUGH  
3 - 1" MIN. DIA. HOLES 2" ON CENTER



## CRITICAL DIMENSIONS

(DO NOT SCALE)

**FOR MORE INFORMATION CALL: 1-800-BUY-MOEN**

[www.moen.com](http://www.moen.com)