



Buy it for looks. Buy it for life.®

# Specifications

There is more than 1 version of this model.  
Page down to identify the version you have.

## DESCRIPTION

- Metal construction with various finishes identified by suffix
- Flexible supplies with 3/8" compression fittings
- Includes metal or 50/50 pop-up type waste assembly where noted

## OPERATION

- Acrylic knob style handle
- Tilt-on/Tilt-off
- Temperature controlled through 100° degree arc of handle travel

## FLOW

- Flow is limited to 1.5 gpm max (5.7L/min) at 60 psi

## CARTRIDGE

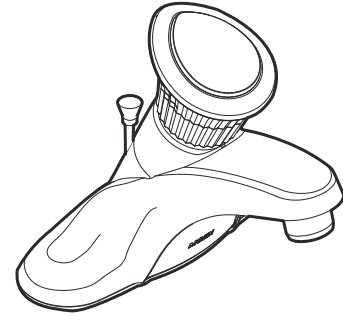
- 1255™ Duralast™ cartridge
- Nonmetallic/nonferrous and stainless steel material

## STANDARDS

- Third party certified to WaterSense,® CSA B-125.1, ASME A112.18.1 and all applicable requirements referenced therein including NSF61/9
- Contains no more than 0.25% weighted average lead content
- Complies with California Proposition 65 and with the Federal Safe Drinking Water Act

## WARRANTY

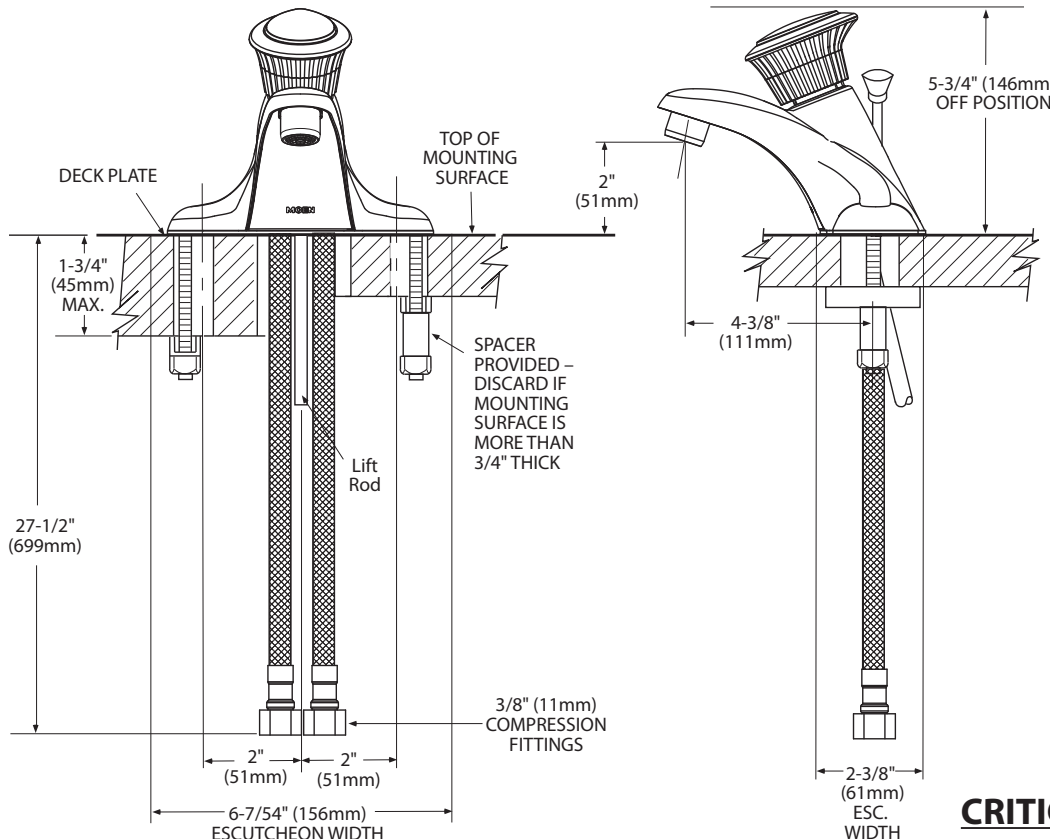
- Lifetime limited warranty against leaks, drips and finish defects to the original consumer purchaser
- 5 year warranty if used in commercial installations



**CHATEAU®**  
**Single-Handle Lavatory Faucet**  
**with Metal Waste Assembly**  
**Model: CA4625 series**

**with 50/50 Waste Assembly**  
**Bulk Pack (12 Per Carton):**  
**CA64625 series**

**NOTE:** THIS FAUCET IS DESIGNED TO BE  
INSTALLED THRU 3-1" DIA. HOLES, 2" ON CENTER



## CRITICAL DIMENSIONS

(DO NOT SCALE)



Buy it for looks. Buy it for life.®

# Specifications

## DESCRIPTION

- Metal construction with various finishes identified by suffix
- 1/2" supplies
- Includes metal or 50/50 pop-up type waste assembly where noted

## OPERATION

- Acrylic knob style handle
- Pull-on/Push-off
- Temperature controlled through 180° degree arc of handle travel

## FLOW

- Flow is limited to 1.5 gpm max (5.7L/min) at 60 psi, for products made before October 2008 flow is limited to 2.2 gpm max (8.3 L/min)

## CARTRIDGE

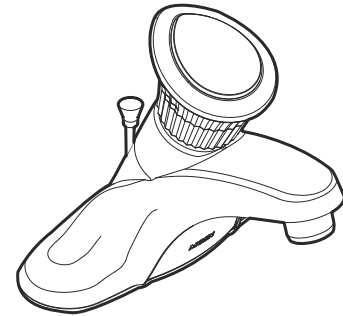
- 1225 cartridge design
- Nonmetallic/nonferrous and stainless steel material
- Can accommodate reversed piping and back to back installations

## STANDARDS

- Third party certified to WaterSense,® CSA B-125.1, ASME A112.18.1 and all applicable requirements referenced therein including NSF61/9
- Contains no more than 0.25% weighted average lead content
- Complies with California Proposition 65 and with the Federal Safe Drinking Water Act

## WARRANTY

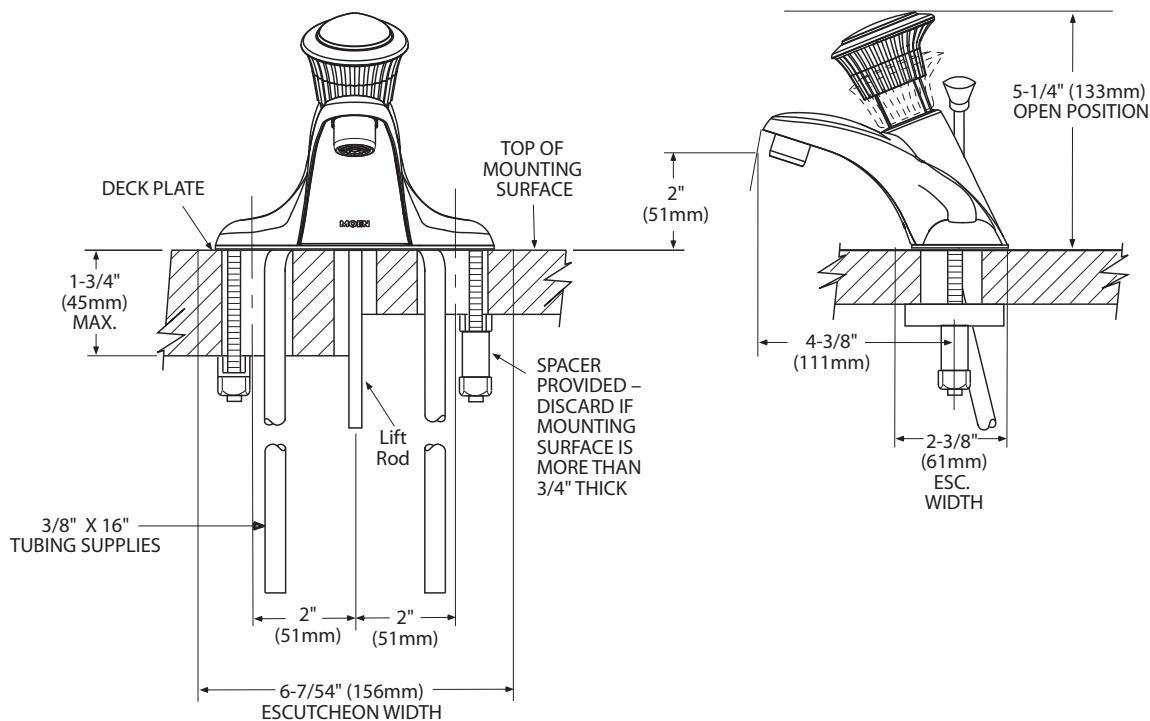
- Lifetime limited warranty against leaks, drips and finish defects to the original consumer purchaser
- 5 year warranty if used in commercial installations



**CHATEAU®**  
**Single-Handle Lavatory Faucet**  
**with Metal Waste Assembly**  
**Model: CA4625 series**

**with 50/50 Waste Assembly**  
**Bulk Pack (12 Per Carton):**  
**CA64625 series**

**NOTE:** THIS FAUCET IS DESIGNED TO BE  
 INSTALLED THRU 3-1" DIA. HOLES, 2" ON CENTER



## CRITICAL DIMENSIONS

(DO NOT SCALE)