

Rockcliff™ Technical Specification

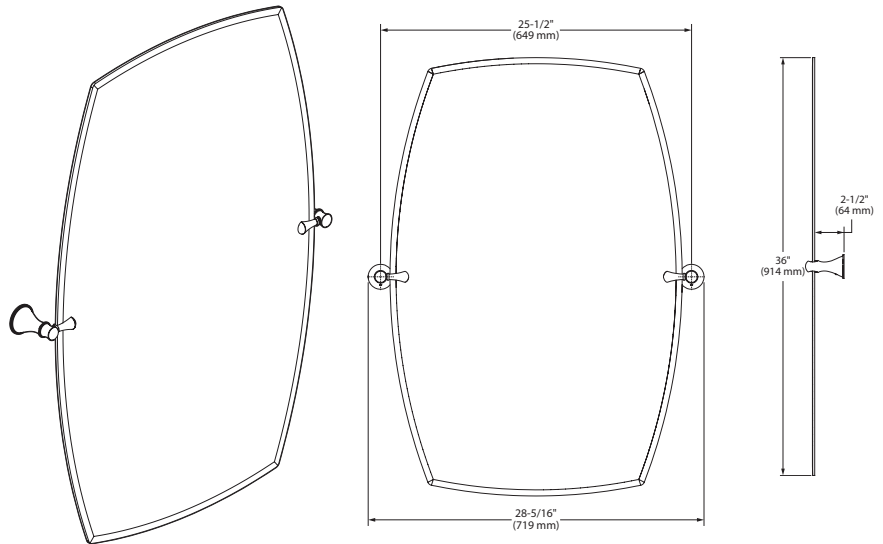
Mirror with Decorative Hardware

BH5292BN

Stock Numbers:

- **BH5292BN – Mirror with Decorative Hardware**
Brushed Nickel Finish

Dimensions:



Materials:

Mirror with Decorative Hardware is constructed of zinc.

Installation Instructions:

Directions below are for installation into drywall. If installing product into a stud, use the wood screws and washers provided only.

1. Remove the mounting bracket from the body by loosening the set screw.
2. Position the mounting template on the wall in the desired location. Using a level, align the template and tape it to the wall.
3. Drill 1/2" pilot holes in marked location, remove template from wall.
4. Place mounting bracket over holes, align and trace both parts.
5. Attach mounting bracket to wall using anchors in predrilled pilot holes.
6. Unscrew plastic nut from end post.
7. With the back of the mirror facing you, slide both end posts into position on the mirror. Align the screw with the hole in the mirror.
8. Thread on plastic nut and hand tighten.
9. Place each post over the mounting bracket with setscrew down. Tighten both setscrew.

Cleaning Instructions:

To preserve the fine finish of this product, clean only with a soft damp cloth. Dry well. Do not use commercial or abrasive cleaners.

Stock Number: BH5292BN Mirror with Decorative Hardware

 **MOEN**
Buy it for looks. Buy it for life.®

25300 AL MOEN DRIVE • NORTH OLMSTED, OH 44070
CORPORATE HEADQUARTERS: (800) 321-8809 • FAX: (800) 848-6636
INTERNATIONAL: (440) 962-2000 • FAX: (440) 962-2726
CUSTOMER SERVICE (USA): 800-882-0116 • FAX: (888) 379-2720
WWW.MOEN.COM

© 2016 Moen Incorporated. Moen is a registered trademark and Rockcliff is a trademark of Moen Incorporated. All rights reserved.