

Metry™ Technical Specification

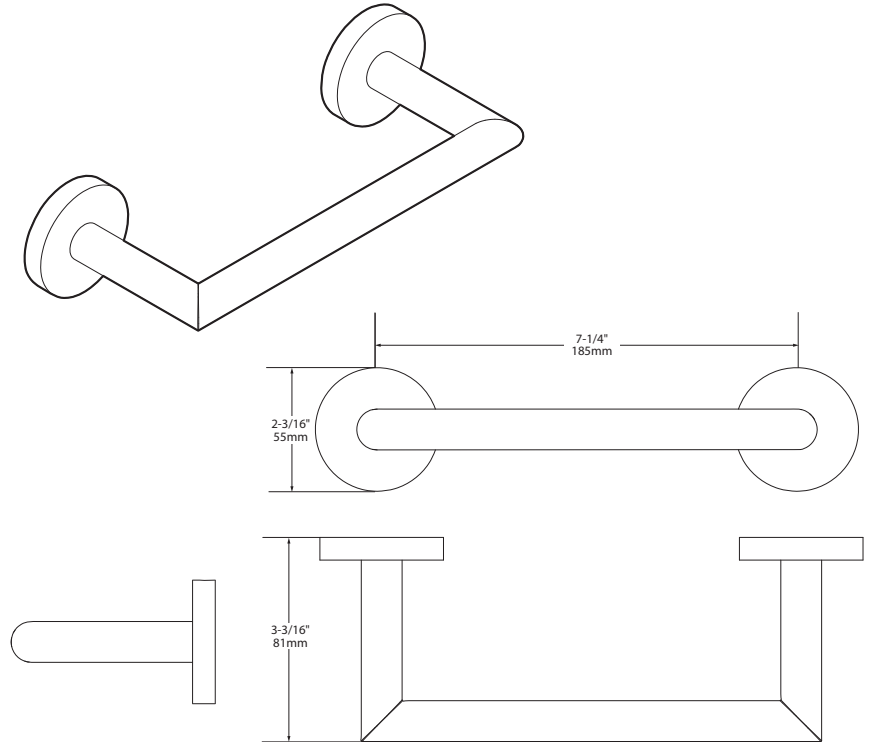
Hand Towel Bar

BH5087

Stock Numbers:

- BH5087PCH** – Hand Towel Bar
Chrome Finish
- BH5087BL** – Hand Towel Bar
Matte Black Finish

Dimensions:



Materials:

Hand Towel Bar is constructed of stainless steel.

Installation Instructions:

1. Remove the mounting bracket from the body by loosening the set screw.
2. Position the assembled unit on the wall where desired.
3. Lightly mark the outline of each base.
4. Center a mounting bracket within each base outline with "UP" facing you.
5. Mark the 2 large hole locations of each mounting bracket.
6. Attach each mounting bracket to the wall, using the wall anchors provided
7. Mount each mounting post on the corresponding mounting bracket.
Check and make sure that the base set screw hole(s) are facing down.
Assemble a set screw to each base. Use the allen wrench included in hardware kit to tighten each set screw and secure the assembly to the mounting bracket(s).

Installation Instructions:

To preserve the fine finish of this product, clean only with a soft damp cloth. Dry well. Do not use commercial or abrasive cleaners.

Stock Number: _____ **Hand Towel Bar**
By MOEN

MOEN®

25300 AL MOEN DRIVE • NORTH OLMSTED, OH 44070
CORPORATE HEADQUARTERS: (800) 321-8809 • FAX: (800) 848-6636
INTERNATIONAL: (440) 962-2000 • FAX: (440) 962-2726
CUSTOMER SERVICE (USA): (800) 882-0116 • FAX: (888) 379-2720
WWW.MOEN.COM ©Copyright Moen, Inc.