

# Recessed Fixtures Technical Specification

## Recessed Paper Holders

977

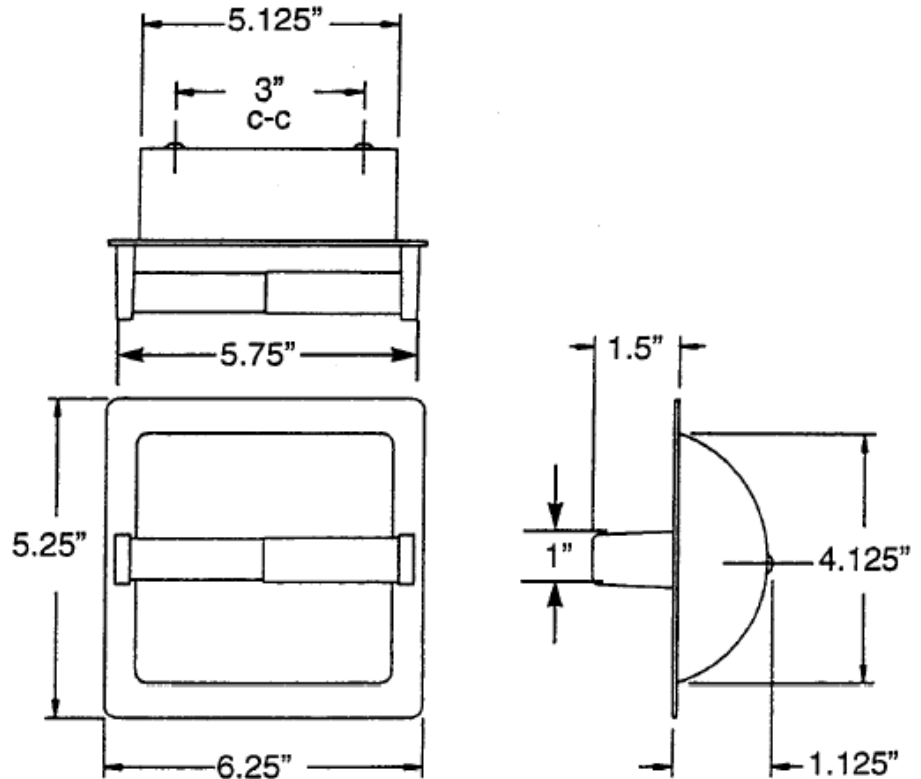
### Stock Numbers:

- 977 – Recessed Paper Holder  
Chrome Finish  
White Roller

### Materials:

**Recessed Paper Holder** shell is die cast from highest quality zinc alloy (zamac) with a triple plated polished chrome finish. Rollers are plastic and spring loaded.

### Dimensions:



### Installation Instructions:

Cut out wall opening 5.25" x 4.25" x 1.125" depth. If wood blocking is available, install recess shell into opening using screws (provided). If wood blocking is not available, use optional installation clamp: BR587 or 588.

**Stock Number:** \_\_\_\_\_ **Recessed Paper Holder**  
**By Creative Specialties**



25300 AL MOEN DRIVE • NORTH OLMS TED, OH 44070  
CORPORATE HEADQUARTERS: (800) 321-8809 • FAX: (800) 848-6636  
INTERNATIONAL: (440) 962-2000 • FAX: (440) 962-2726  
CUSTOMER SERVICE (USA): 800-882-0116 • FAX: (888) 379-2720  
WWW.MOEN.COM

©Copyright Creative Specialties International

Literature #BA1650