

Recessed Fixtures Technical Specification

Recessed Soap Holders

926

Stock Numbers:

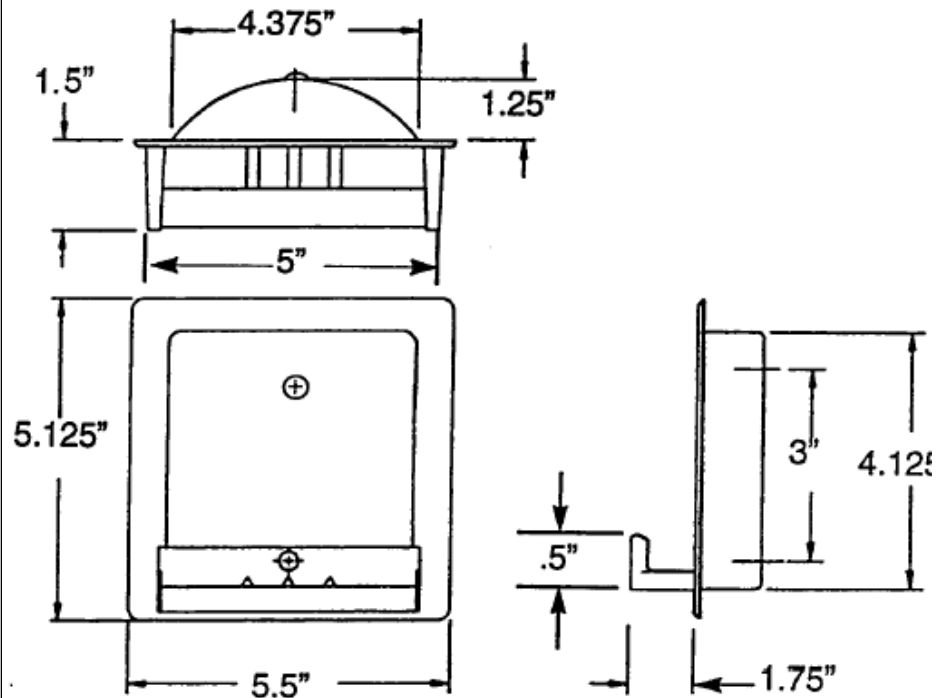
- q **926 – Recessed Soap Holder**
Polished Chrome Finish
Fixed Tray
- q **L926 – Recessed Soap Holder**
Polished Chrome Finish
Fixed Tray
Tile Lugs

Materials:

926 Recessed Soap Holder is die cast from the highest quality zinc alloy (zamac) with a triple plated polished chrome finish. Non-removable tray is clear plastic.

L926 has tile lugs riveted to the back of recess shell for cement, mortar, or mud-in installations

Dimensions:



Installation Instructions:

Cut out wall opening $4\frac{1}{4}'' \times 4\frac{1}{4}'' \times 1\frac{1}{2}''$ depth. If wood blocking is available, install recess shell into opening using 2" screws (provided). If wood blocking is not available, use optional installation clamp: BR587 or 588.

Stock Number: _____ Recessed Soap Holder
By CSI Bath Furnishings

