

**DESCRIPTION**

- Metal construction with chrome plated finish
- Copper or brass waterways
- 1/2" IPS connections
- Supplied with vandal resistant screws
- Metal pop-up waste assembly where noted

**OPERATION**

- Tri blade style handles with hot and cold color indicators
- Rotate either handle counterclockwise to open and clockwise to close

**FLOW**

- Aerator is limited to 1.5 gpm max (5.7 L/min)

**CARTRIDGE**

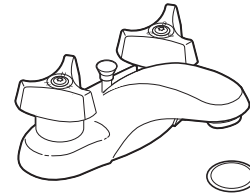
- 1224 cartridge design
- Nonmetallic and stainless steel material

**STANDARDS**

- Third party certified to WaterSense® (only applies to 1.5 gpm), ASME A112.18.1/CSA B125.1, and all applicable requirements referenced therein including NSF 61/9
- Complies with California Proposition 65 and with the Federal Safe Drinking Water Act

**WARRANTY**

- Warranted for 5 years against material or manufacturing defects



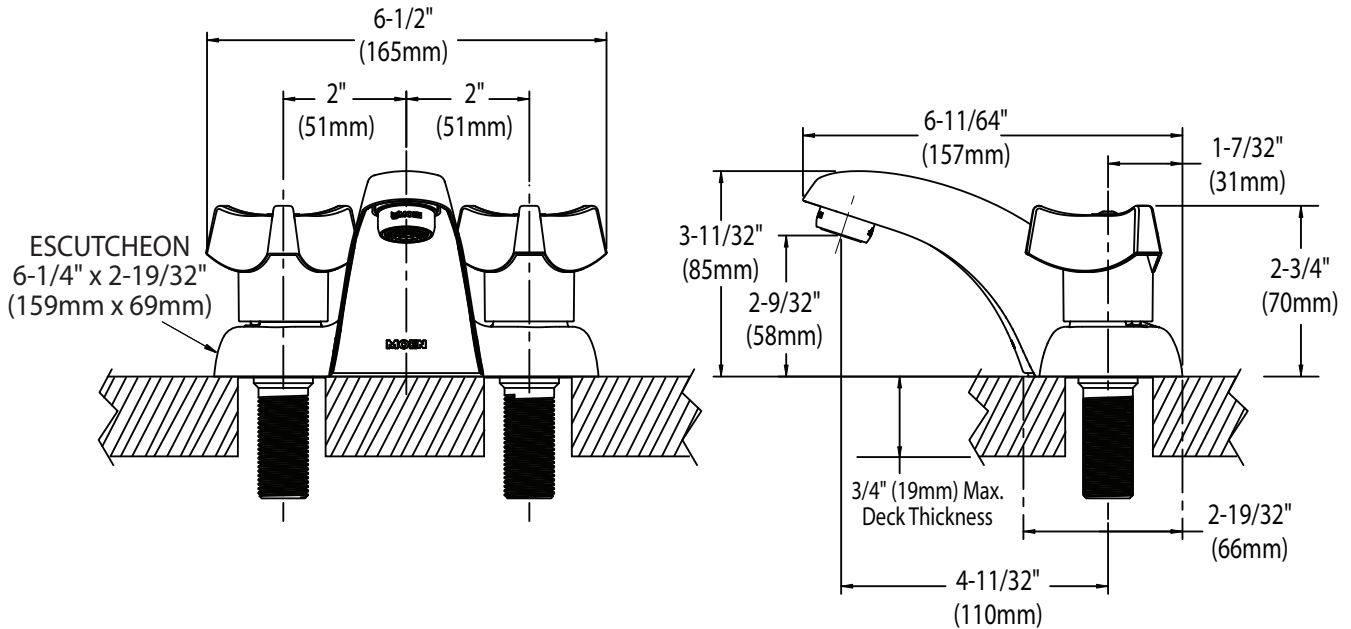
**Two-Handle Lavatory Faucet**

MODEL	DRAIN	WATERSENSE CERTIFIED
8935	Metal	x
8930	Without	x



See table above

**NOTE:** Designed to be installed through 3 - 1" min. dia. holes 2" on center



**CRITICAL DIMENSIONS**

(DO NOT SCALE)