



Buy it for looks. Buy it for life.®

Specifications

FAUCET DESCRIPTION

- A flexible hose system that offers secure docking, smooth operation, and easy movement
- Metal construction with various finishes identified by suffix
- Hydrolock™ quick connect installation
- Pullout spray with 68" braided hose
- Flexible supplies with 3/8" compression fittings

OPERATION

- Lever style handle
- Temperature controlled by 120° arc of handle travel
- Spout rotation is 120°
- Operates with less than 5lbs. of force
- Operates in stream or spray mode in the pullout or retracted position

FLOW


- Aerator is limited to 1.5 gpm (5.7 L/min) max.

CARTRIDGE

- 1255™ Duralast™ cartridge for Single-Handle Faucets

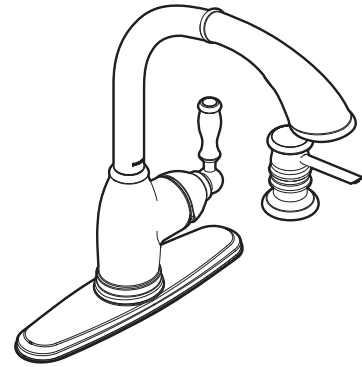
STANDARDS

- Third party certified to meet CSA B-125.1, ASME A112.18.1 and all applicable requirements referenced therein including NSF61/9
- Contains no more than 0.25% weighted average lead content
- Complies with California Proposition 65 and with the Federal Safe Drinking Water Act

- **ADA**  for lever handle
- The backflow protection system in this device consists of two independently operating check valves, a primary and a secondary which prevent backflow

WARRANTY

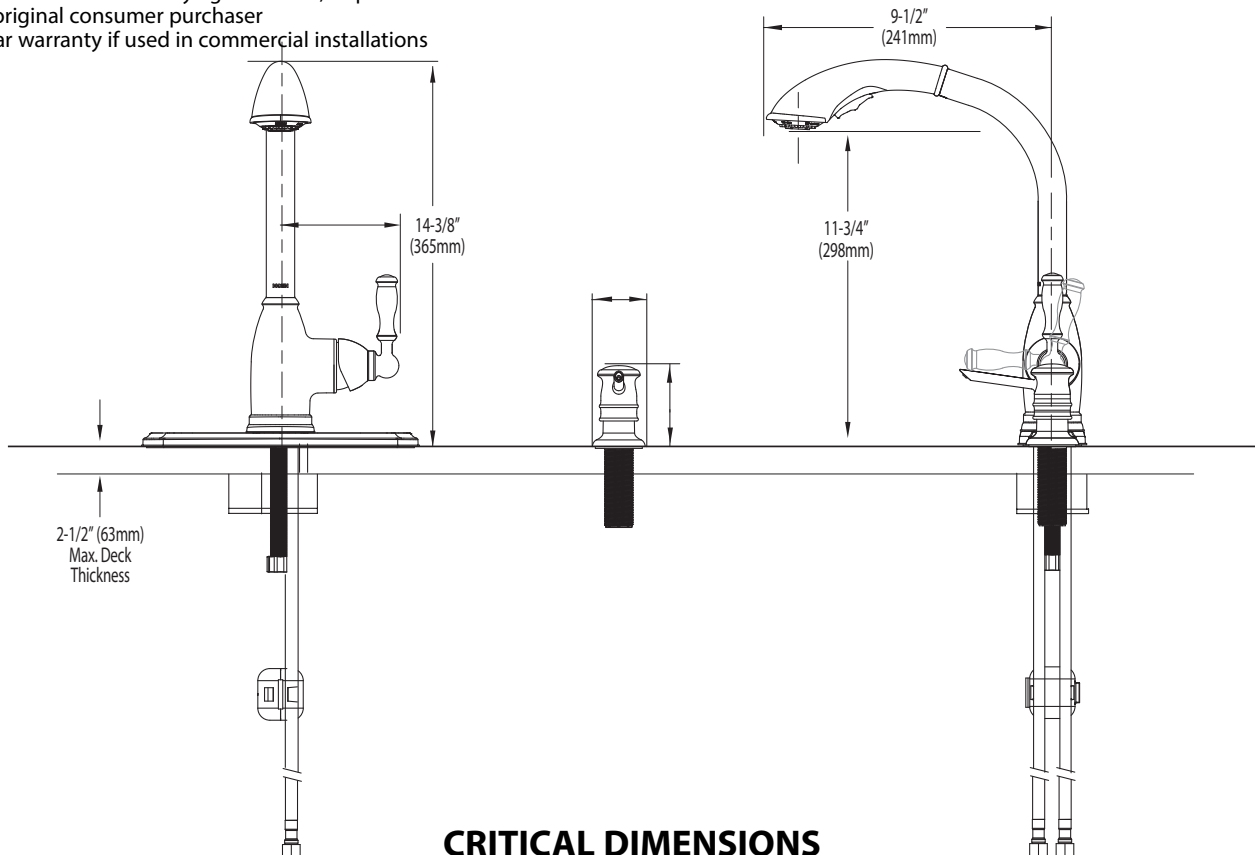
- Lifetime limited warranty against leaks, drips and finish defects to the original consumer purchaser
- 5 year warranty if used in commercial installations



Single Handle Pull Out Kitchen Faucet with Liquid Soap Dispenser

Models: 87799 series

NOTE: THIS FAUCET IS DESIGNED TO INSTALL THRU 1 OR 3 HOLES 1-1/2" (38mm) DIA.



CRITICAL DIMENSIONS

(DO NOT SCALE)