

# MOEN®

## Specifications

*There is more than one version of this model.  
Page down to identify the version you have.*

### DESCRIPTION

- Metal construction with various finishes identified by suffix
- Flexible supplies with 3/8" compression fittings
- Soap dispenser included

### OPERATION

- Lever style handle
- Operates with less than 5 lbs. of force


### FLOW

- Aerator is limited to 1.5 gpm (5.7 L/min) max.

### CARTRIDGE

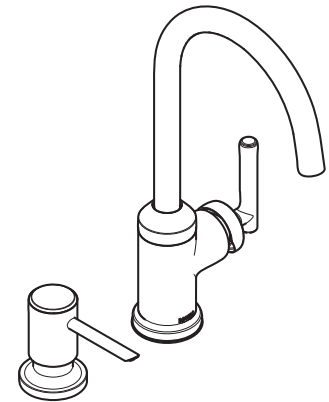
- 1255™ Duralast™ cartridge for Single-Handle Faucets
- Nonmetallic/nonferrous and stainless steel material

### STANDARDS

- Third party certified to: ASME A112.18.1/CSA B-125.1, NSF 61/9 & 372 and all applicable specifications referenced therein
- Complies with California Proposition 65 and with the Federal Safe Drinking Water Act
- **ADA**  for lever handle

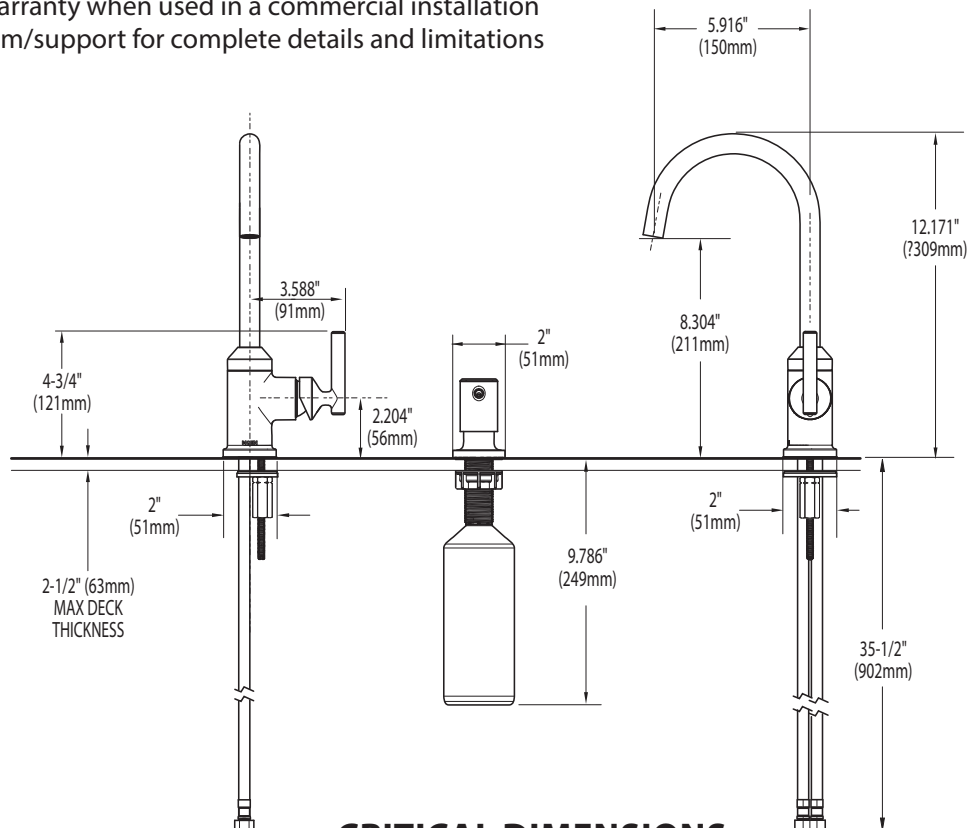
### WARRANTY

- Lifetime limited warranty against leaks, drips and finish defects to the original homeowner
  - 10 year limited warranty when used in a multifamily installation
  - 5 year limited warranty when used in a commercial installation
- Visit [www.moen.com/support](http://www.moen.com/support) for complete details and limitations



**Soltani™  
Single Handle Lever  
Bar/Prep Faucet**

**Model: 87593 series**



### CRITICAL DIMENSIONS

(DO NOT SCALE)

# MOEN®

## Specifications

### DESCRIPTION

- Metal construction with various finishes identified by suffix
- Flexible supplies with 3/8" compression fittings
- Soap dispenser included

### OPERATION

- Lever style handle
- Operates with less than 5 lbs. of force


### FLOW

- Aerator is limited to 1.5 gpm (5.7 L/min) max.

### CARTRIDGE

- 1255™ Duralast™ cartridge for Single-Handle Faucets
- Nonmetallic/nonferrous and stainless steel material

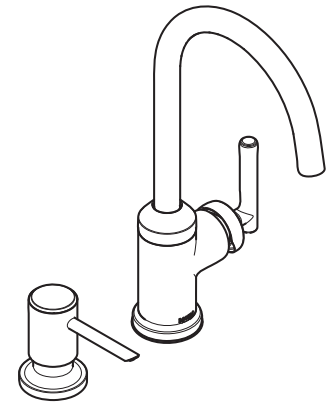
### STANDARDS

- Third party certified to: ASME A112.18.1/CSA B-125.1, NSF 61/9 & 372 and all applicable specifications referenced therein
- Complies with California Proposition 65 and with the Federal Safe Drinking Water Act
- **ADA**  for lever handle

### WARRANTY

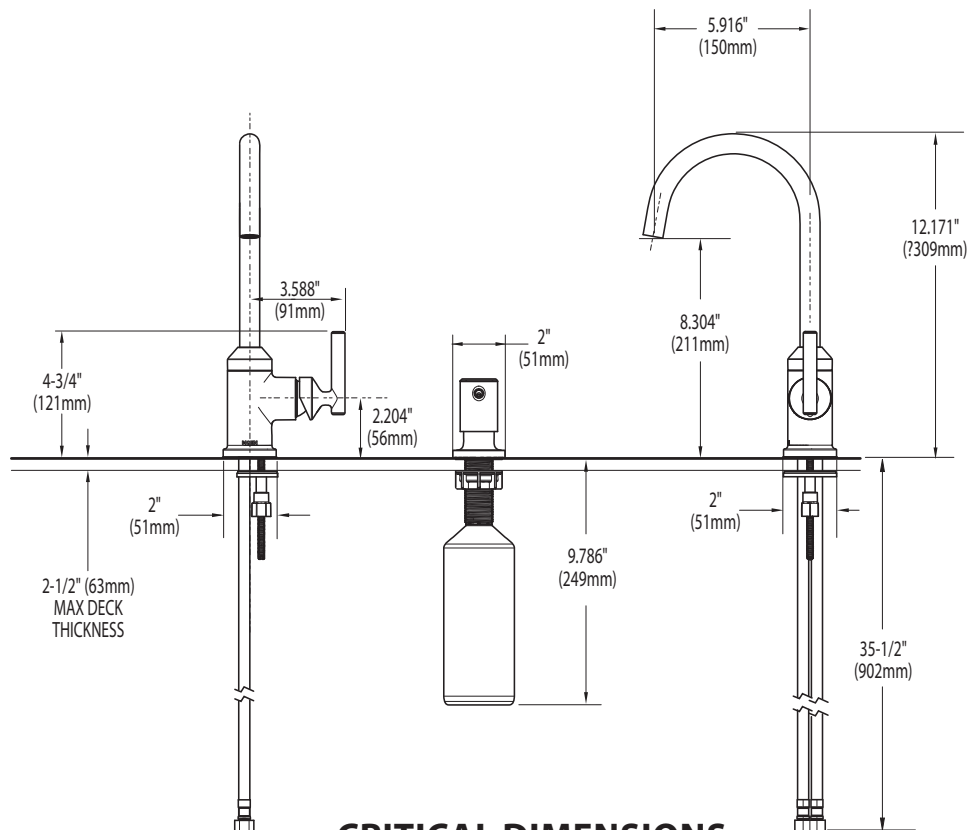
- Lifetime limited warranty against leaks, drips and finish defects to the original homeowner
- 10 year limited warranty when used in a multifamily installation
- 5 year limited warranty when used in a commercial installation

Visit [www.moen.com/support](http://www.moen.com/support) for complete details and limitations



**Soltani™**  
**Single Handle Lever**  
**Bar/Prep Faucet**

**Model:** 87593 series



### CRITICAL DIMENSIONS

(DO NOT SCALE)