



Buy it for looks. Buy it for life.®

FAUCET DESCRIPTION

- Metal construction with various finishes identified by suffix
- Inlet shanks will accept 3/8" ball nose connections
- With side spray versions available
- Hydrolock® quick-connect installation

OPERATION

- Lever style handle
- Operates with less than 5 lbs. of force

FLOW

- Tap water: 2.2 gpm max (8.3 L/min)


CARTRIDGE

- 4000 ceramic disc cartridge design
- Nonmetallic/nonferrous and stainless steel material

STANDARDS

Faucet:

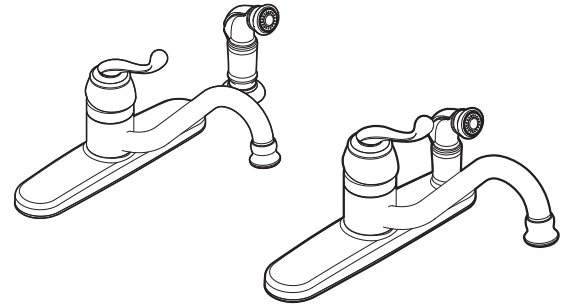
- Third party certified to ASME A112.18.1/CSA B125.1, ICC A117.1 and all applicable requirements referenced therein
- Certified to ANSI/NSF 61/9
- Complies with California Proposition 65 and with the Federal Safe Water Drinking Act

ADA  for lever handles

WARRANTY

- Lifetime limited warranty against leaks, drips and finish defects to the original consumer purchaser
- 5 year warranty if used in commercial installations

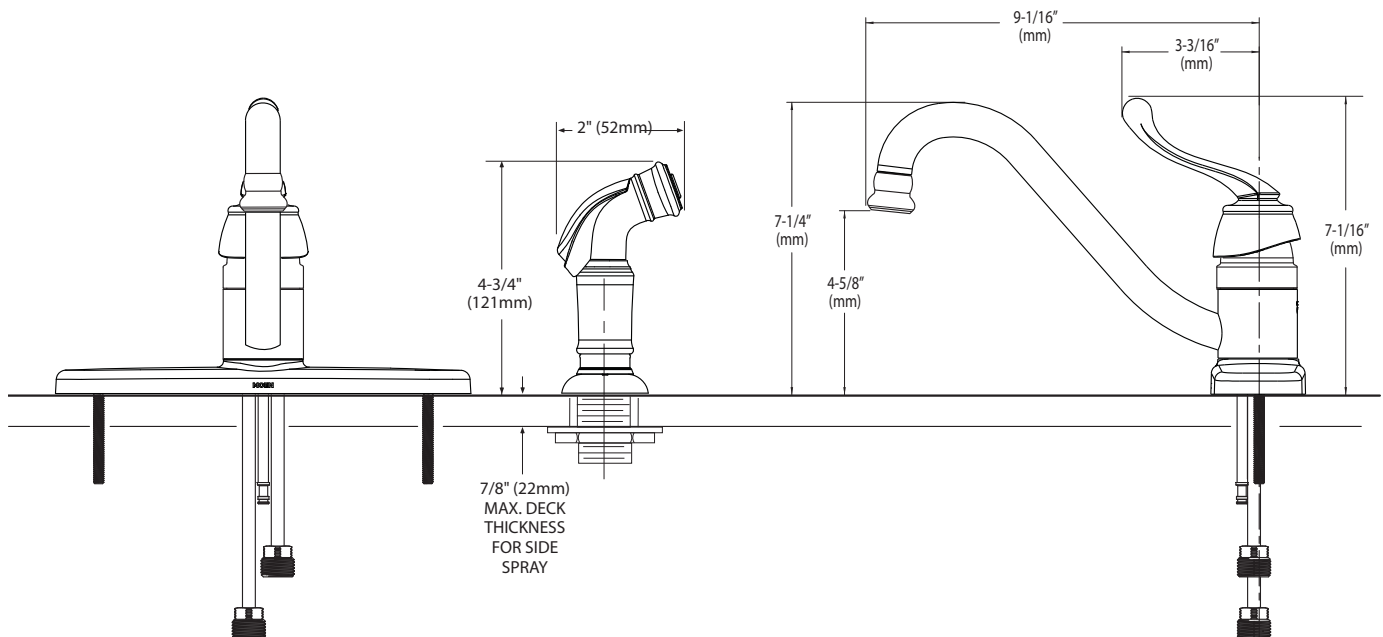
Specifications



Touch Control® Single Handle Lever Kitchen Faucet with Side Spray

Models: 87520 series, 87524 series

NOTE: DESIGNED TO INSTALL THROUGH 3
1-1/4" (32mm) MIN. DIA. AND 4" ON CENTER



CRITICAL DIMENSIONS

(DO NOT SCALE)

FOR MORE INFORMATION CALL: 1-800-BUY-MOEN

www.moen.com