



Buy it for looks. Buy it for life.®

FAUCET DESCRIPTION

- Metal construction with chrome plated or LifeShine® stainless finish
- Inlet shanks will accept 3/8" ball nose connections
- Includes side spray

OPERATION

- Lever style handle
- Pull-on/Push-off
- Operates with less than 5 lbs. of force

FLOW

- Aerator is limited to 2.2 gpm max (8.3 L/min)

CARTRIDGE

- 1225 cartridge design
- Nonmetallic/nonferrous and stainless steel materials

STANDARDS

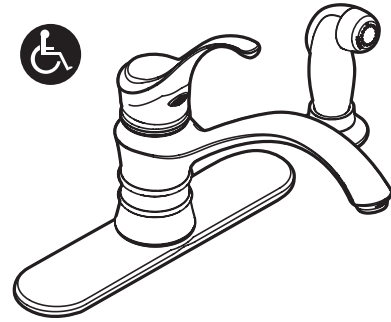
- Third party certified to CSA B125, ASME A112.18.1M, ANSI A117.1 and all applicable requirements referenced therein
- Certified to ANSI/NSF 61/9
- Complies with California Proposition 65 and with the Federal Safe Water Drinking Act

WARRANTY

- Lifetime limited warranty against leaks, drips and finish defects to the original consumer purchaser
- 5 year warranty if used in commercial installations

Specifications

ADA 

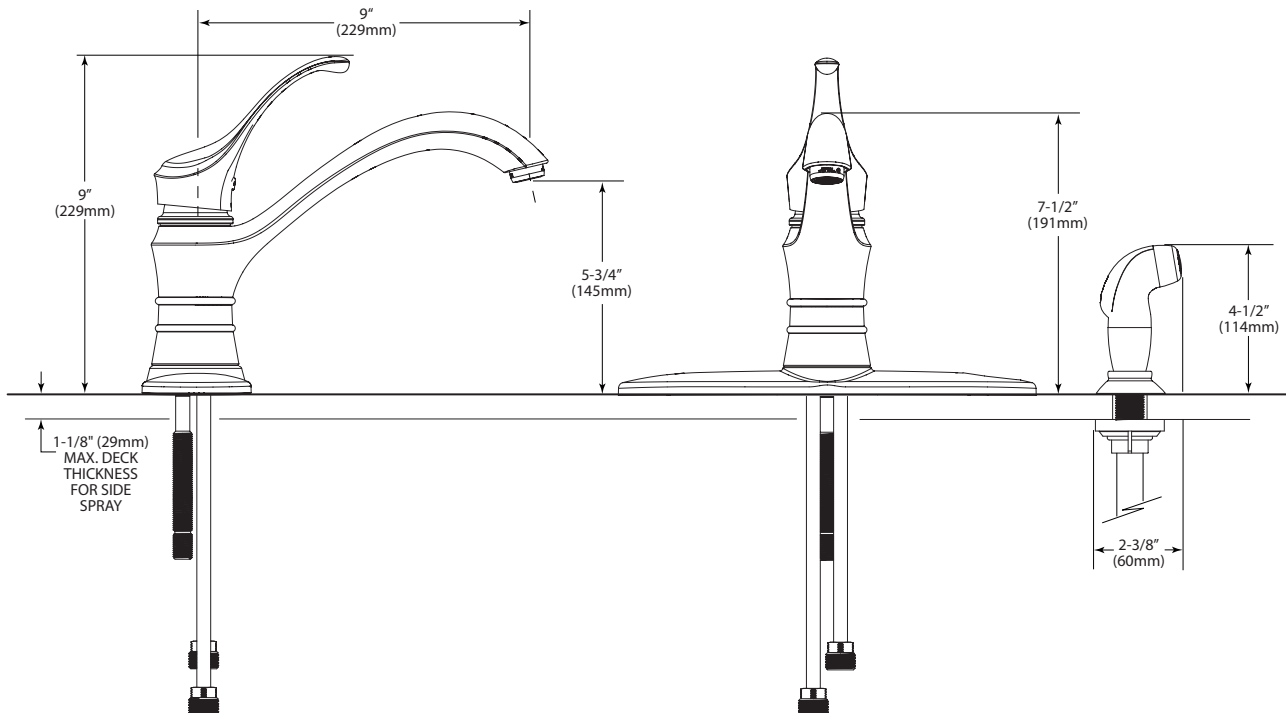


Single Handle Lever Kitchen Faucet with Protégé® Side Spray

Models: 87435, 87435SL

NOTE: DESIGNED TO INSTALL THRU 3 HOLES 1-1/4" (32mm) MIN. DIA. AND 4 ON CENTER

OTHER MODELS DESIGNED FOR INSTALL THRU 1, 1-1/4" (32mm) MIN. DIA. HOLE FOR FAUCET & 1, 1-1/4" (32mm) HOLE FOR SIDE SPRAY



CRITICAL DIMENSIONS

(DO NOT SCALE)

FOR MORE INFORMATION CALL: 1-800-BUY-MOEN

www.moen.com