



Buy it for looks. Buy it for life.®

### FAUCET DESCRIPTION

- Metal construction with chrome plated, LifeShine® Stainless, ivory or glacier finish
- Hydrolock® quick connect installation
- Pullout spray with 68" braided hose
- 1/2" IPS connections will accept standard ball nose connection for 3/8" tubing

### OPERATION

- Lever style handle
- Temperature controlled by 120° arc of handle travel
- Spout receptor rotation is 120°
- Operates with less than 5 lbs. of force
- Operates in stream or spray mode in the pullout or retracted position

### FLOW

- Flow is limited to 2.2 gpm (8.3 L/min) max.

### CARTRIDGE

- 1225 cartridge design
- Engineered polymers, non-ferrous and stainless steel materials

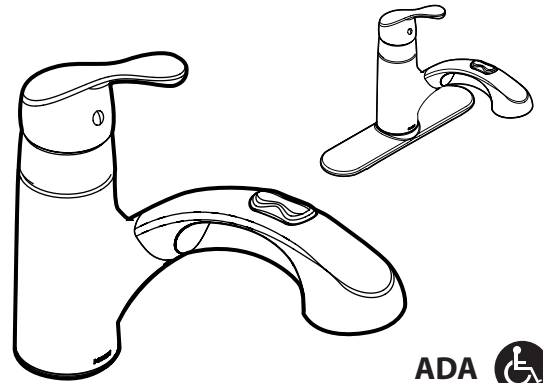
### STANDARDS

- Third party certified to CSA B-125, ASME A112.18.1M, NSF 61 Section 9, California Proposition 65, ANSI A117.1 and all applicable requirements referenced therein
- The backflow protection system in this device consists of two independently operating check valves, a primary and a secondary which prevent backflow.

### WARRANTY

- Lifetime limited warranty against leaks, drips and finish defects to the original consumer purchaser
- 5 year warranty if used in commercial installations

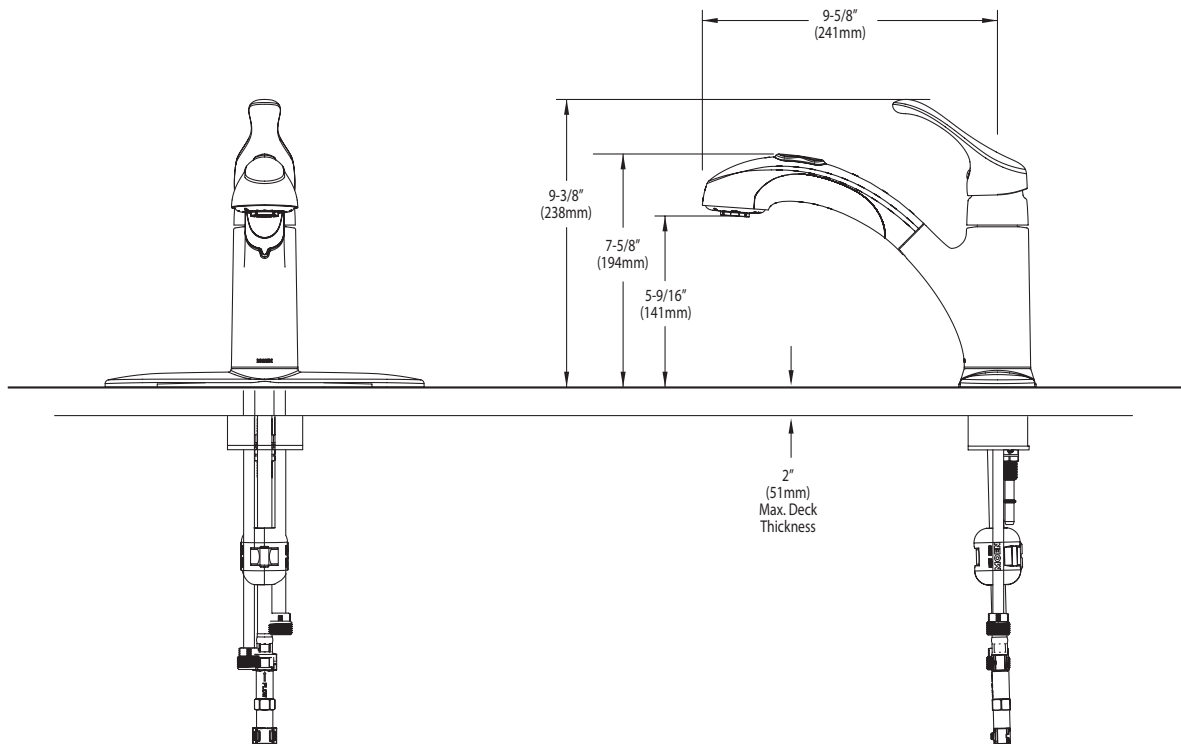
# Specifications



### Single Control Kitchen Faucet

Models: 87316C, 87316SL, 87316V, 87316W

**NOTE:** DESIGNED TO INSTALL THRU 1 OR 3 HOLES 1-1/4" (32mm) MIN. DIA.



### CRITICAL DIMENSIONS

(DO NOT SCALE)

FOR MORE INFORMATION CALL: 1-800-BUY-MOEN

www.moen.com