



Buy it for looks. Buy it for life.®

Specifications

FAUCET DESCRIPTION

- Metal construction with various finishes identified by suffix
- High arc spout provides the height and reach to fill or clean large pots
- 2 or 4 hole-mount
- Flexible supply lines with 3/8" compression fittings
- 360° rotating spout

OPERATION

- Single handle lever
- Temperature controlled by 100° arc of handle travel


FLOW

- Flow is limited to 2.0 gpm (7.6 L/min) at 60 psi

CARTRIDGE

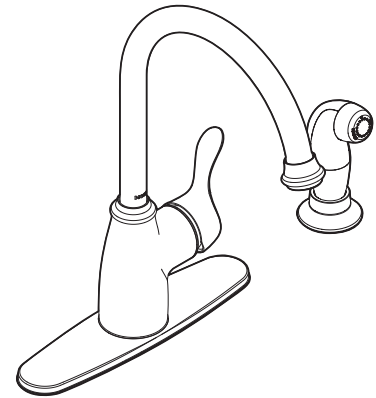
- 1255™ Duralast™ cartridge for Single-Handle Faucets

STANDARDS

- Third party certified to ASME A112.18.1/CSA B-125.1 and all applicable requirements referenced therein including NSF 61/9
- Meets Georgia SB370 requirements
- Contains no more than 0.25% weighted average lead content
- Complies with California Proposition 65 and with the Federal Safe Drinking Water Act
- **ADA**  for lever handle

WARRANTY

- Lifetime limited warranty against leaks, drips and finish defects to the original consumer purchaser
- 5 year warranty if used in commercial installations

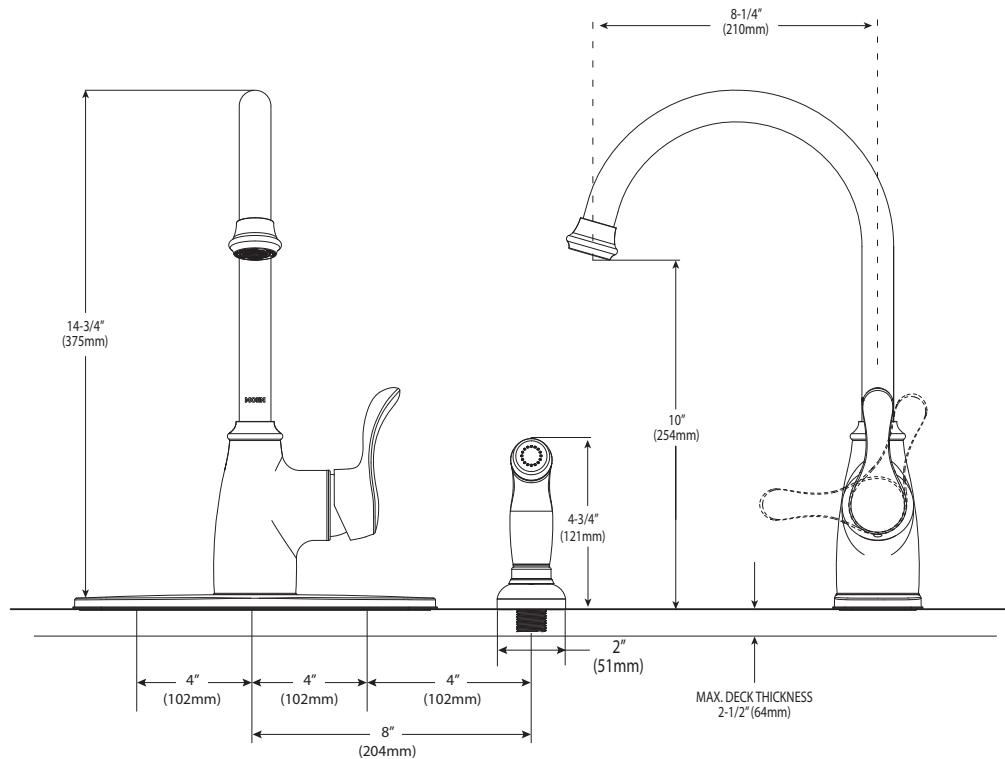


Single Handle High Arc Kitchen Faucet

Models: 87313 series

NOTE: THIS FAUCET IS DESIGNED TO BE INSTALLED THRU 2 OR 4 HOLES: 1-1/2" (38MM) MIN. DIA. HOLES FOR VALVE AND DECK PLATE (IF INSTALLED) AND A 1-1/4" (32MM) MIN. DIA. HOLE FOR SIDE SPRAY

4 HOLES ON 4" CENTERS WHEN INSTALLED WITH DECK PLATE
2 HOLES ON 8" CENTERS WHEN INSTALLED WITHOUT PLATE



CRITICAL DIMENSIONS

(DO NOT SCALE)

FOR MORE INFORMATION CALL: 1-800-BUY-MOEN

www.moen.com