



Buy it for looks. Buy it for life.®

Specifications

FAUCET DESCRIPTION

- Metal construction with various finishes identified by suffix
- Includes hose and Protégé side spray

OPERATION

- Lever style handles
- Hot side counter-clockwise to open (clockwise to close)
- Cold side clockwise to open (counter-clockwise to close)

FLOW


- Aerator is limited to 2.2. gpm (8.3 L/min) at 60 psi

CARTRIDGE

- 1224 cartridge design
- Nonmetallic and stainless steel material

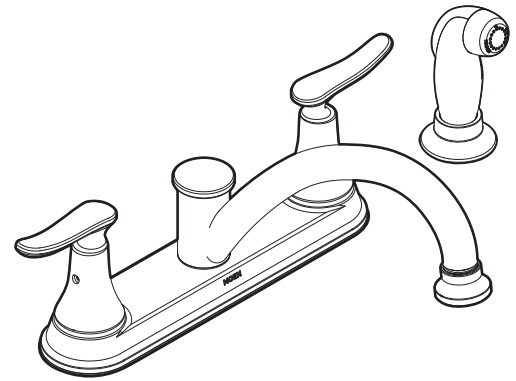
STANDARDS

- Third party certified to meet ASME A112.18/CSA B-125.1 and all applicable requirements referenced therein
- Contains no more than 0.25% weighted average lead content
- Certified to NSF 61/9
- Complies with California Proposition 65 and with the Federal Safe Drinking Water Act

- **ADA**  for lever handles

WARRANTY

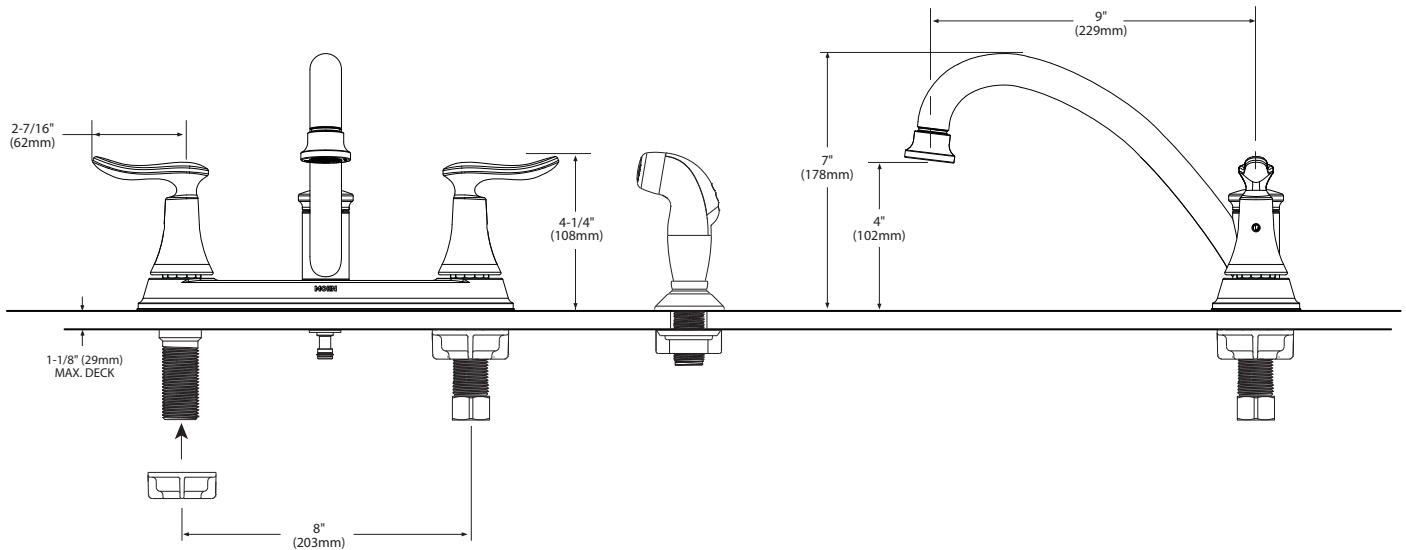
- Lifetime limited warranty against leaks, drips and finish defects to the original consumer purchaser
- 5 year warranty if used in commercial installations



Two-Handle Kitchen Faucet

Models: 87302 series

NOTE: THIS FAUCET IS DESIGNED TO BE INSTALLED THRU 4 HOLES 1-1/4" (32MM) MIN. DIA.



CRITICAL DIMENSIONS

(DO NOT SCALE)

FOR MORE INFORMATION CALL: 1-800-BUY-MOEN

www.moen.com