



Buy it for looks. Buy it for life.®

*There is more than 1 version of this model.
Page down to identify the version you have.*

DESCRIPTION

- Metal construction with various finishes identified by suffix
- Duralock™ quick connect installation
- Pulldown spray with 68" braided hose
- 1/2" IPS connections will accept standard ball nose connection (for 3/8" tubing)
- High arc spout provides height and reach to fill or clean large pots while the pull out wand provides the maneuverability for cleaning (or rinsing)
- Soap dispenser included with 87211SRSSD

OPERATION

- Lever style handle
- Operates with less than 5 lbs. of force
- Operates in stream or spray mode in the pullout or retracted position

FLOW


- Flow is limited to 1.5 gpm (5.7 L/min) at 60 psi

CARTRIDGE

- 1255™ Duralast™ cartridge for Single-Handle Faucets
- Engineered polymers, non-ferrous and stainless steel materials

STANDARDS

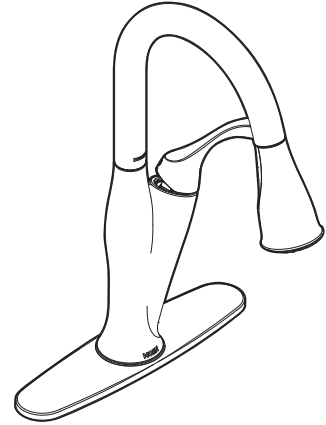
- Third party certified to IAPMO Green ASME A112.18.1/CSA B-125.1 and all applicable requirements referenced therein including NSF 61/9 & 372
- Meets CalGreen and Georgia SB370 requirements
- Contains no more than 0.25% weighted average lead content
- Complies with California Proposition 65 and with the Federal Safe Drinking Water Act

- **ADA**  for lever handle
- The backflow protection system in this device consists of two independently operating check valves, a primary and a secondary which prevent backflow

WARRANTY

- Lifetime limited warranty against leaks, drips and finish defects to the original consumer purchaser
- 5 year warranty if used in commercial installations

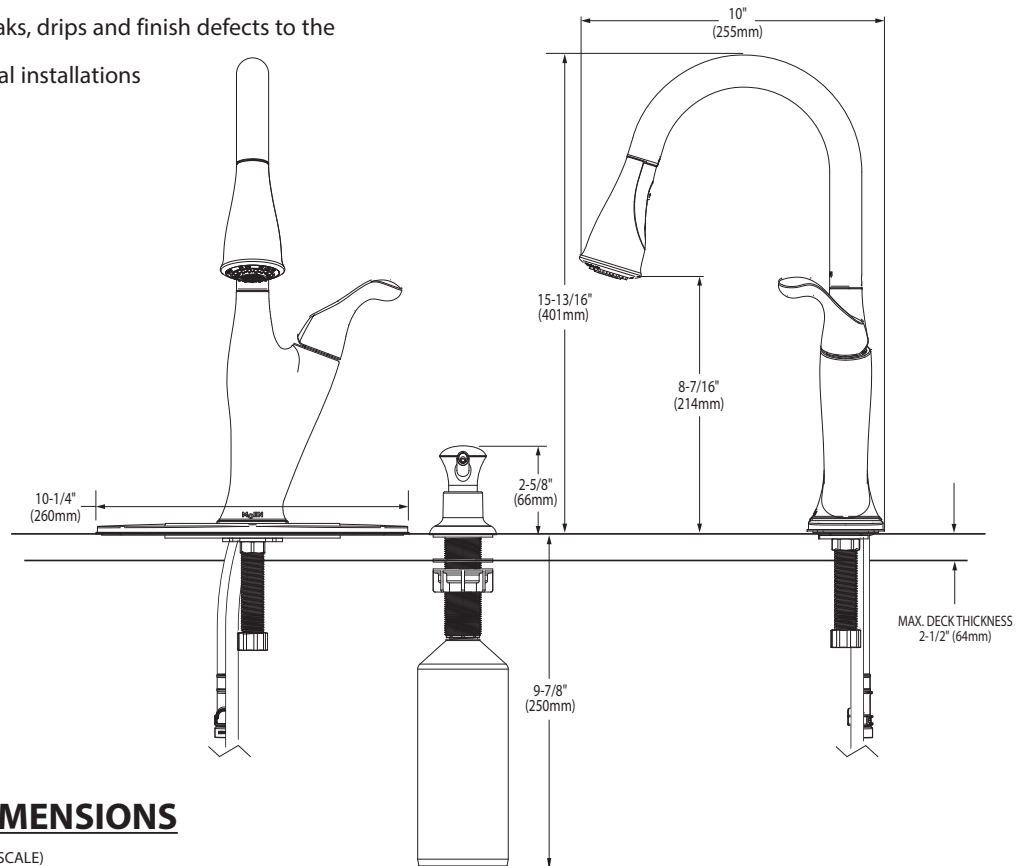
Specifications



Benton™
**Single Handle High Arc Pull Out
Kitchen Faucet**

Models: 87211 series

NOTE: THIS FAUCET IS DESIGNED TO BE INSTALLED
THRU 1 OR 3 HOLE, 1-1/2" (38mm) MIN. DIA.



CRITICAL DIMENSIONS

(DO NOT SCALE)



Buy it for looks. Buy it for life.®

Specifications

DESCRIPTION

- Metal construction with various finishes identified by suffix
- Quick connect installation
- Pulldown spray with 68" braided hose
- 1/2" IPS connections will accept standard ball nose connection (for 3/8" tubing)
- High arc spout provides height and reach to fill or clean large pots while the pull out wand provides the maneuverability for cleaning (or rinsing)

OPERATION

- Lever style handle
- Operates with less than 5 lbs. of force
- Operates in stream or spray mode in the pullout or retracted position

FLOW

- Flow is limited to 1.5 gpm (5.7 L/min) at 60 psi

CARTRIDGE

- 1255™ Duralast™ cartridge for Single-Handle Faucets
- Engineered polymers, non-ferrous and stainless steel materials

STANDARDS

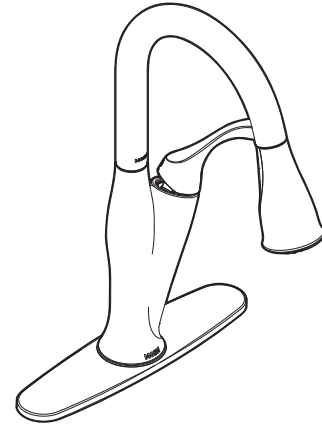
- Third party certified to IAPMO Green ASME A112.18.1/CSA B-125.1 and all applicable requirements referenced therein including NSF 61/9
- Meets CalGreen and Georgia SB370 requirements
- Contains no more than 0.25% weighted average lead content
- Complies with California Proposition 65 and with the Federal Safe Drinking Water Act

- **ADA**  for lever handle

- The backflow protection system in this device consists of two independently operating check valves, a primary and a secondary which prevent backflow

WARRANTY

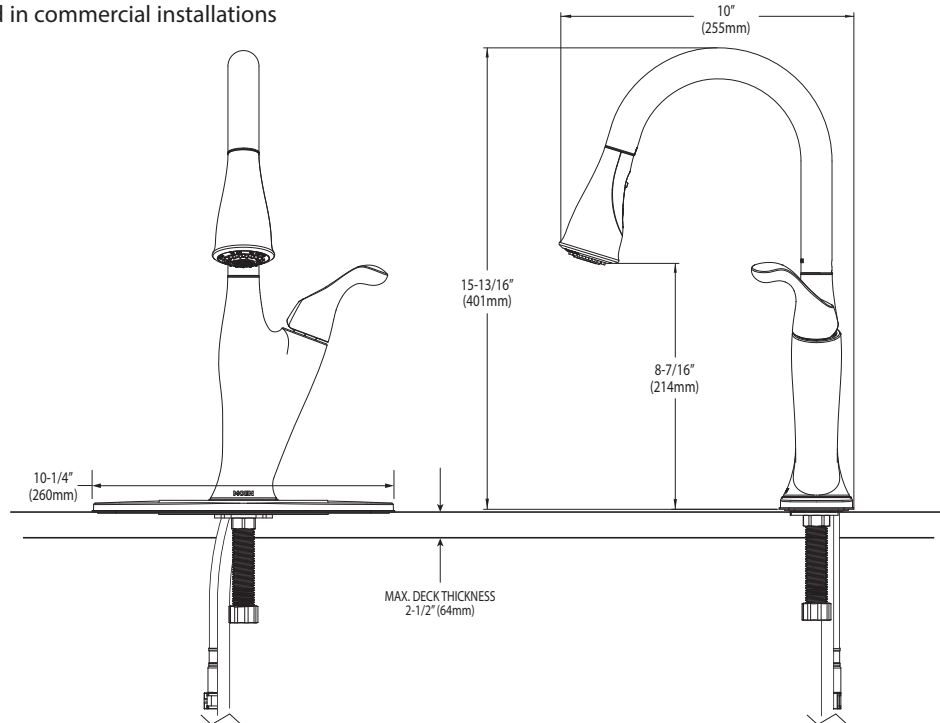
- Lifetime limited warranty against leaks, drips and finish defects to the original consumer purchaser
- 5 year warranty if used in commercial installations



Benton™
Single Handle High Arc Pull Out
Kitchen Faucet

Models: 87211 series

NOTE: THIS FAUCET IS DESIGNED TO BE INSTALLED
THRU 1 OR 3 HOLE, 1-1/2" (38mm) MIN. DIA.



CRITICAL DIMENSIONS

(DO NOT SCALE)