

FAUCET DESCRIPTION

- Metal construction with various finishes identified by suffix
- Spot Resist™ finish available
- Power clean spray
- Duralock™ quick connect installation
- Pullout spray with 68" braided hose
- Flexible supplies with 3/8" compression fittings

OPERATION

- Lever style handle
- Temperature controlled by 120° arc of handle travel
- Spout rotation is 120°
- Operates with less than 5lbs. of force
- Operates in stream, pause or spray mode in the pullout or retracted position

FLOW

- Aerator is limited to 1.5 gpm (5.7 L/min) max.

CARTRIDGE

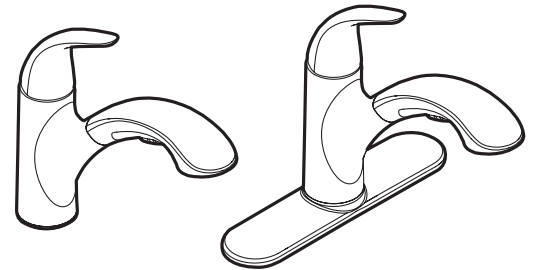
- 1255™ Duralast™ cartridge for single-handle faucets
- Engineered polymers, nonferrous and stainless steel materials

STANDARDS

- Complies with California Proposition 65 and with the Federal Safe Drinking Water Act
- Third party certified to IAPMO Green ASME A112.18.1/CSA B-125.1 and all applicable requirements referenced therein including NSF 61/9 & 372
- Meets CalGreen and Georgia SB370 requirements
- ADA ♿ for lever handle
- The backflow protection system in this device consists of two independently operating check valves, a primary and a secondary which prevent backflow

WARRANTY

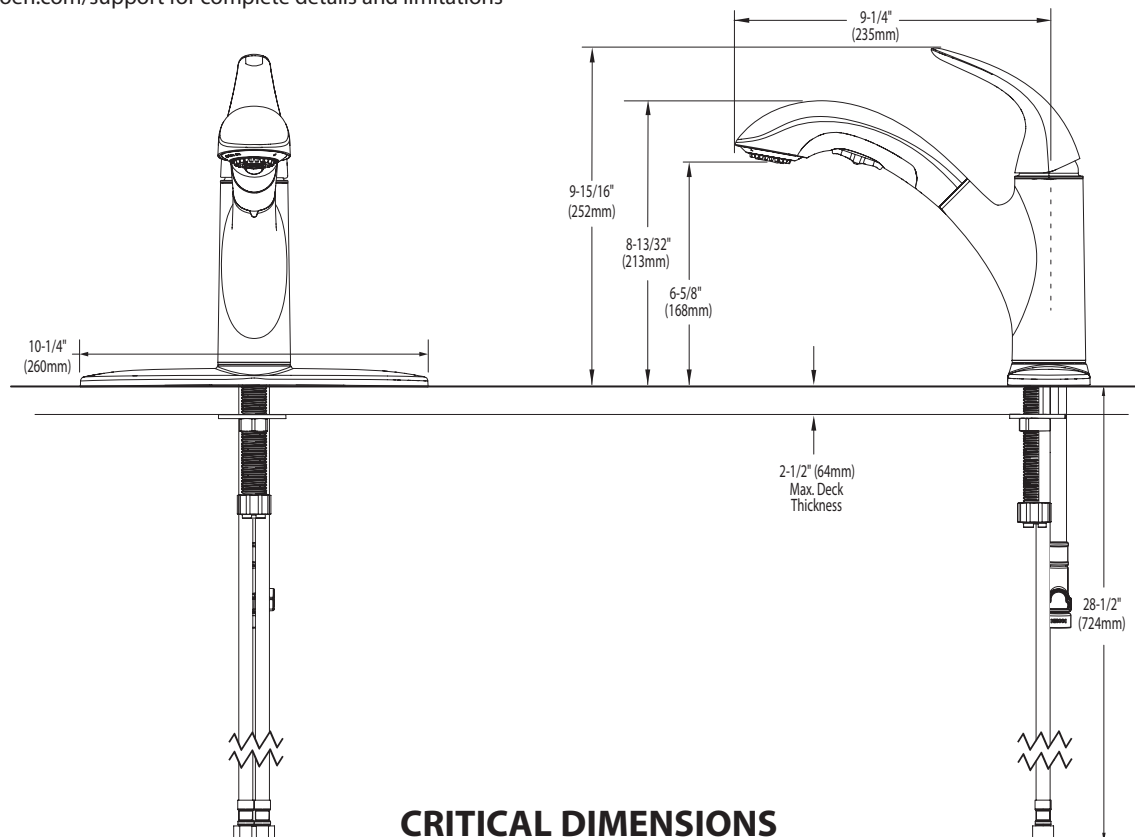
- Lifetime limited warranty against leaks, drips and finish defects to the original homeowner
 - 10 year limited warranty when used in a multifamily installation
 - 5 year limited warranty when used in a commercial installation
- Visit www.moen.com/support for complete details and limitations



Medina™
Single Control Kitchen Faucet

Models: 87039 series

NOTE: DESIGNED TO INSTALL THROUGH
1 OR 3 HOLES 1-1/2" (38mm) DIA.



CRITICAL DIMENSIONS
(DO NOT SCALE)

FOR MORE INFORMATION CALL: 1-800-BUY-MOEN

www.moen.com