



Buy it for looks. Buy it for life.®

DESCRIPTION

- Relex® and self-retraction system
- Metal construction with various finishes identified by suffix
- Duralock™ quick connect installation
- Spot Resist™ finish available
- Power clean spray
- Pulldown spray with 68" braided hose
- 3/8" compression connections will accept standard ball nose connection for 3/8" tubing

OPERATION

- Lever style handle
- Operates with less than 5 lbs. of force
- Operates in stream or spray mode in the pulldown or retracted position

FLOW

- Flow is limited to 1.5 gpm (5.7 L/min) at 60 psi

CARTRIDGE

- 1255™ Duralast™ cartridge for Single-Handle Faucets
- Engineered polymers, non-ferrous and stainless steel materials

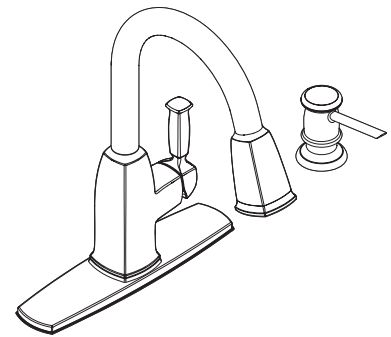
STANDARDS

- Third party certified to IAPMO Green, ASME A112.18.1/CSA B-125.1 and all applicable requirements referenced therein including NSF 61/9 & 372
- Meets CalGreen and Georgia SB370 requirements
- Complies with California Proposition 65 and with the Federal Safe Drinking Water Act
- ADA ♿ for lever handle
- The backflow protection system in this device consists of two independently operating check valves, a primary and a secondary which prevent backflow

WARRANTY

- Limited lifetime warranty against leaks, drips and finish defects to the original consumer purchaser
- 5 year warranty if used in commercial installations

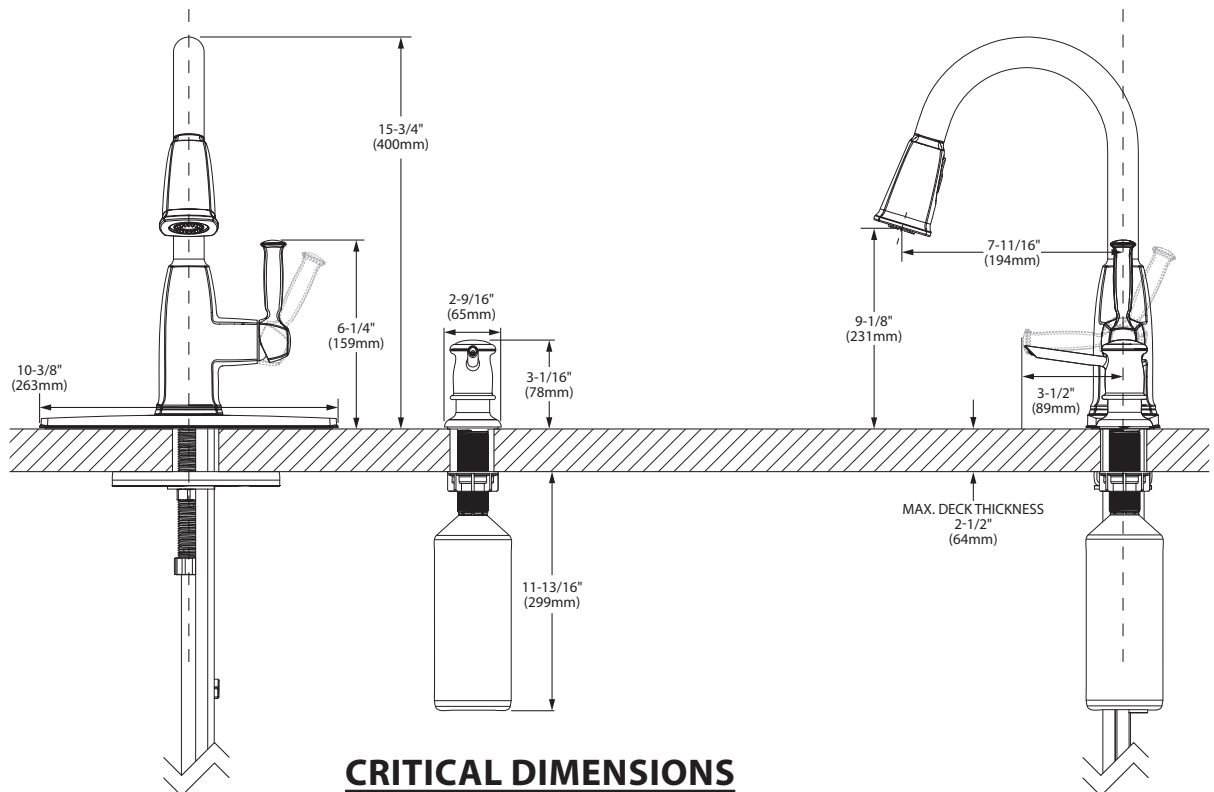
Specifications



Wellsley™ Single-Handle High Arc Pull Down Kitchen Faucet

Models: 87022 Series

NOTE: THIS FAUCET IS DESIGNED TO BE INSTALLED THRU 1, 2, 3 AND 4 HOLE, 1-1/2" (38mm) MIN. DIA. (1 HOLE FOR SOAP DISPENSER)



CRITICAL DIMENSIONS

(DO NOT SCALE)