

DESCRIPTION

- Chrome plated metal construction
- 1/2" IPS connections
- Copper or brass waterways
- Includes metal pop-up type waste assembly where noted
- Supplied with vandal resistant screw

OPERATION

- Lever style (Easy Grip) handle with hot and cold color indicators

FLOW

- Aerator is limited to 2.2 gpm max (8.3 L/min)

CARTRIDGE

- 1225 cartridge design
- Nonmetallic/nonferrous and stainless steel material

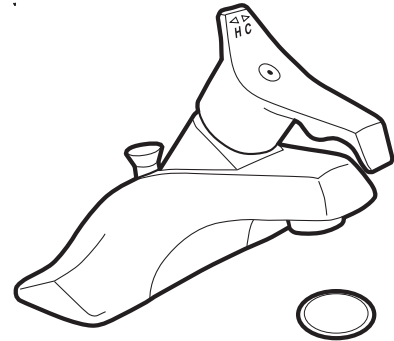
STANDARDS

- Third party certified to ASME A112.18.1/CSA B125.1 and all applicable requirements referenced therein including NSF61/9
- Contains no more than 0.25% weighted average lead content
- Complies with California Proposition 65 and with the Federal Safe Drinking Water Act

- ADA  for lever handle

WARRANTY

- Warranted for 5 years against material or manufacturing defects

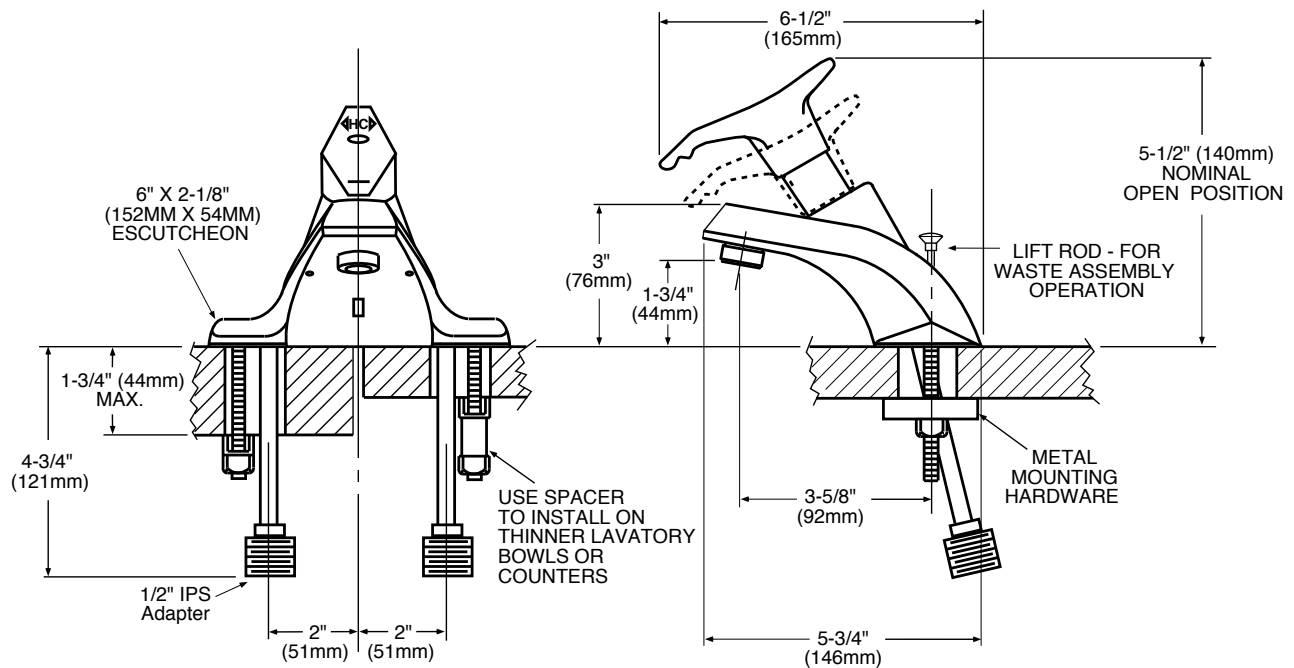


Single-Handle Lavatory Faucet With Pop-Up Waste Assembly

Model: 8465 with metal waste
8460 less waste



NOTE: DESIGNED TO INSTALL THROUGH
3-1" MIN. DIA. HOLES. 4" ON CENTER



CRITICAL DIMENSIONS

(DO NOT SCALE)