

FAUCET DESCRIPTION

- Chrome plated metal construction
- Pressure balancing cycle valve design
- 1/2" CC connections with 1/4 turn stops
- Shower arm has 1/2" IPS male threads
- Diverter spout is 1/2" CC slip-fit design
- Supplied with vandal resistant screws

OPERATION

- Lever style handle with temperature indicators on the escutcheon
- Handle operates counterclockwise through a 270° arc with off at 6 o'clock, and maximum hot at the 9 o'clock position. Shut off in clockwise direction
- Adjustable temperature limit stop to restrict the handle travel in the HOT direction
- Pressure balancing mechanism maintains selected discharge temperature to $\pm 2^\circ$

FLOW

- Vandal resistant shower head 1.6 gpm (6.05 L/min) maximum

CARTRIDGE

- 1222 cartridge design
- Nonmetallic/nonferrous and stainless steel materials
- Accommodates back-to-back installations

STANDARDS

- Third party certified to ASME A112.18.1/CSA B125.1 and all applicable requirements referenced therein including ASSE 1016

- **ADA**  for lever handle

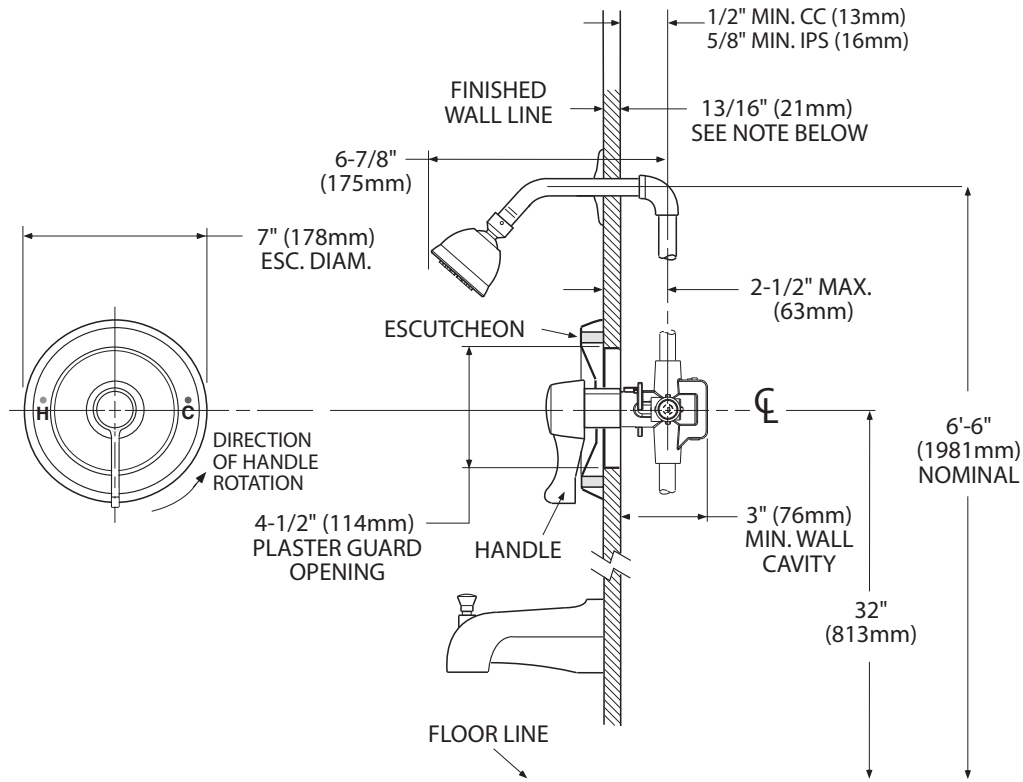
WARRANTY

- Warranted for 5 years against material or manufacturing defects



Single Handle Pressure Balancing Tub/Shower With Stops, HAF and Diverter Spout

Model: 8389LF16



CRITICAL DIMENSIONS

(DO NOT SCALE)