

DESCRIPTION

- Handheld shower
- High impact chrome plated plastic
- Quick cleaning rubber nozzles

OPERATION

- Single spray pattern

FLOW

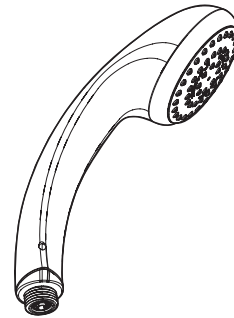
- Designed to deliver 1.6 gpm (6.1L/min) max

STANDARDS

- Third party certified to ASME A112.18.1/CSA B125.1, ICC A117.1 and all applicable requirements referenced therein

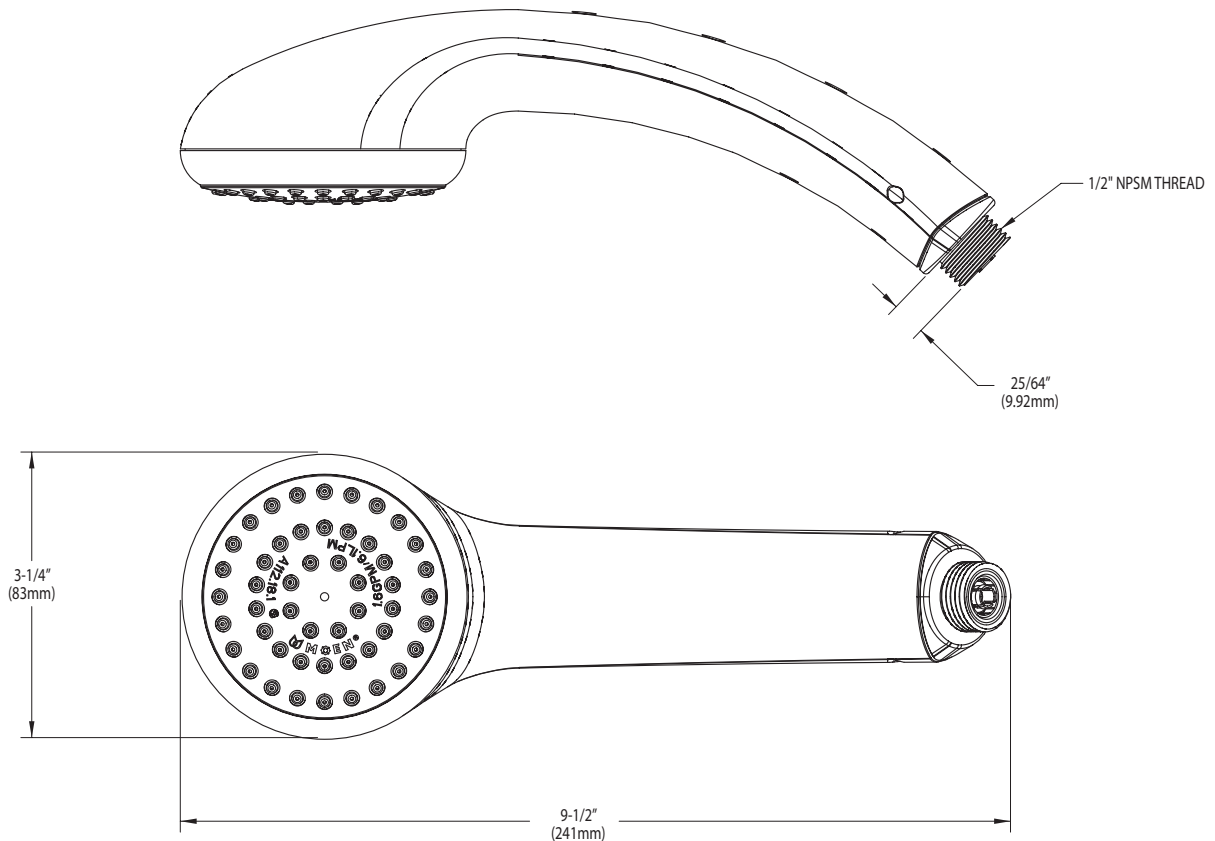
WARRANTY

- 5 year limited warranty



Single Function Handheld Shower

Model: 8349LF16



CRITICAL DIMENSIONS

(DO NOT SCALE)