

**There is more than one version of this model.**  
**Page down to identify the version you have.**

### DESCRIPTION

- Chrome plated metal construction
- Pressure balancing cycle valve design with 1/4 turn stops
- Contains: hand-held shower with non-positive pause, 30" slide bar, drop ell, 72" metal hose and mounting hardware
- **Slide bar is NOT DESIGNED TO BE A GRAB BAR**
- Supplied with vandal resistant screws
- Quick cleaning rubber nozzles

### OPERATION

- Temperature valve has ADA compliant lever style handle
- Handle operates counterclockwise through a 270° arc with off at 6 o'clock, and maximum hot at the 9 o'clock position. Shut off in clockwise direction
- Adjustable temperature limit stop
- Pressure balancing mechanism maintains selected discharge temperature to ± 2°
- Single function spray pattern
- Easy to operate pause button (reduces the flow of water to a trickle)


### FLOW

- 2.5 gpm (9.5 L/min) maximum @ 80 psi
- EP suffix models are limited to 1.5 gpm (5.7 L/min) @ 80 psi

### CARTRIDGE

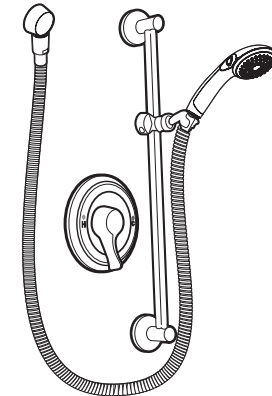
- 1222HD brass cartridge design
- Brass construction with stainless steel materials
- Accommodates back-to-back installations

### STANDARDS

- Third party certified to: WaterSense® (EP models only), ASME A112.18.1/CSA B125.1 and all applicable requirements referenced therein
- Backflow prevention compliance through ASME A112.18.3
- **ADA**  for lever handle

### WARRANTY

- Lifetime limited warranty against leaks, drips and finish defects to the original homeowner
  - 10 year limited warranty when used in a multifamily installation
  - 5 year limited warranty when used in a commercial installation
- Visit [www.moen.com/support](http://www.moen.com/support) for complete details and limitations

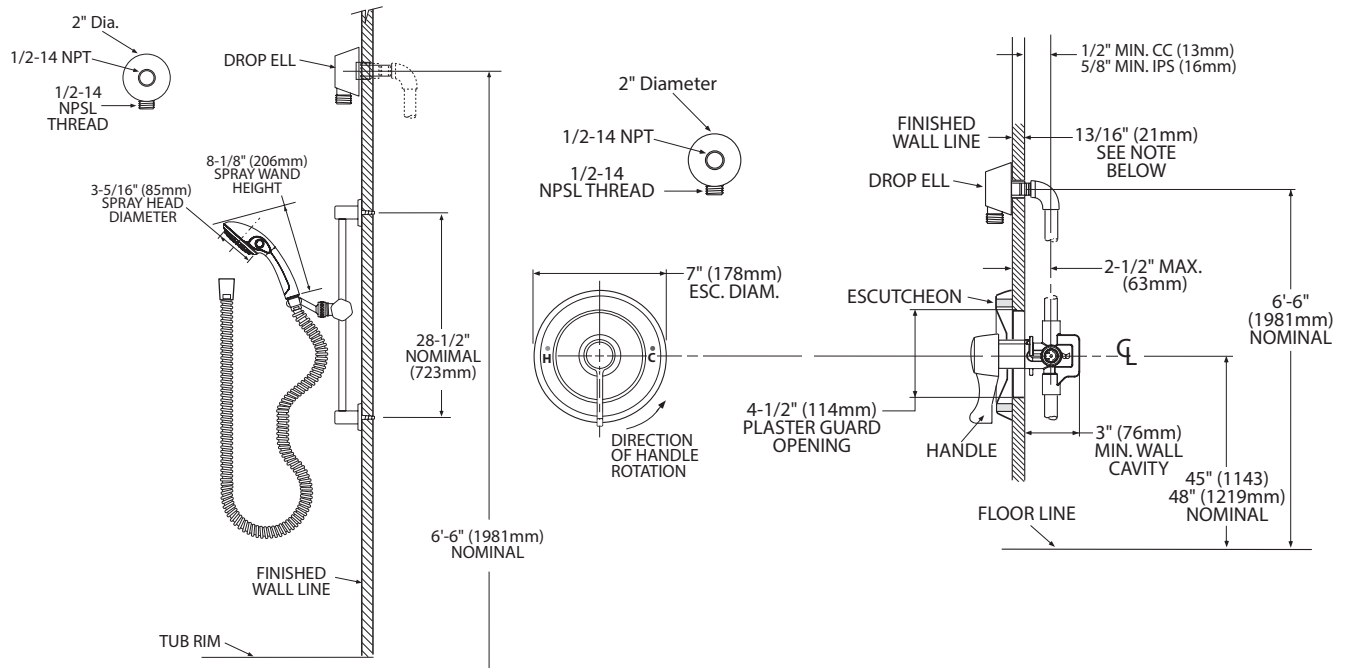


## Single-Handle Pressure Balancing Shower Valve With Hand-Held Shower System

**Models: 8346,**  
**8346EP15 (Discontinued)**



EP Models Only



## CRITICAL DIMENSIONS

(DO NOT SCALE)

## DESCRIPTION

- Chrome plated metal construction
- Pressure balancing cycle valve design with 1/4 turn stops
- Contains: hand-held shower with non-positive pause, 30" slide bar, drop ell, 69" metal hose and mounting hardware
- **Slide bar is NOT DESIGNED TO BE A GRAB BAR**
- Supplied with vandal resistant screws
- Quick cleaning rubber nozzles

## OPERATION

- Temperature valve has ADA compliant lever style handle
- Handle operates counterclockwise through a 270° arc with off at 6 o'clock, and maximum hot at the 9 o'clock position.
- Shut off in clockwise direction
- Adjustable temperature limit stop
- Pressure balancing mechanism maintains selected discharge temperature to  $\pm 2^\circ$
- Single function spray pattern
- Easy to operate pause button (reduces the flow of water to a trickle)

## FLOW

**8346** (2.5gpm/9.5 lpm)

**8346EP15** (1.5gpm/5.7 lpm); **WaterSense® Certified**

## CARTRIDGE

- 1222HD brass cartridge design
- Brass construction with stainless steel materials
- Accommodates back-to-back installations

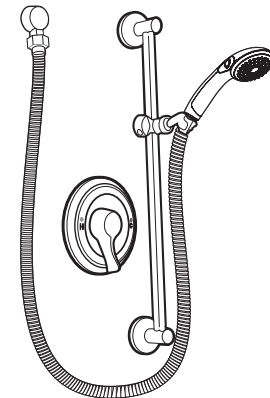
## STANDARDS

- Third party certified to ASME A112.18.1/CSA B125.1 and all applicable requirements referenced therein
- Backflow prevention compliance through ASME A112.18.3

- **ADA**  for lever handle

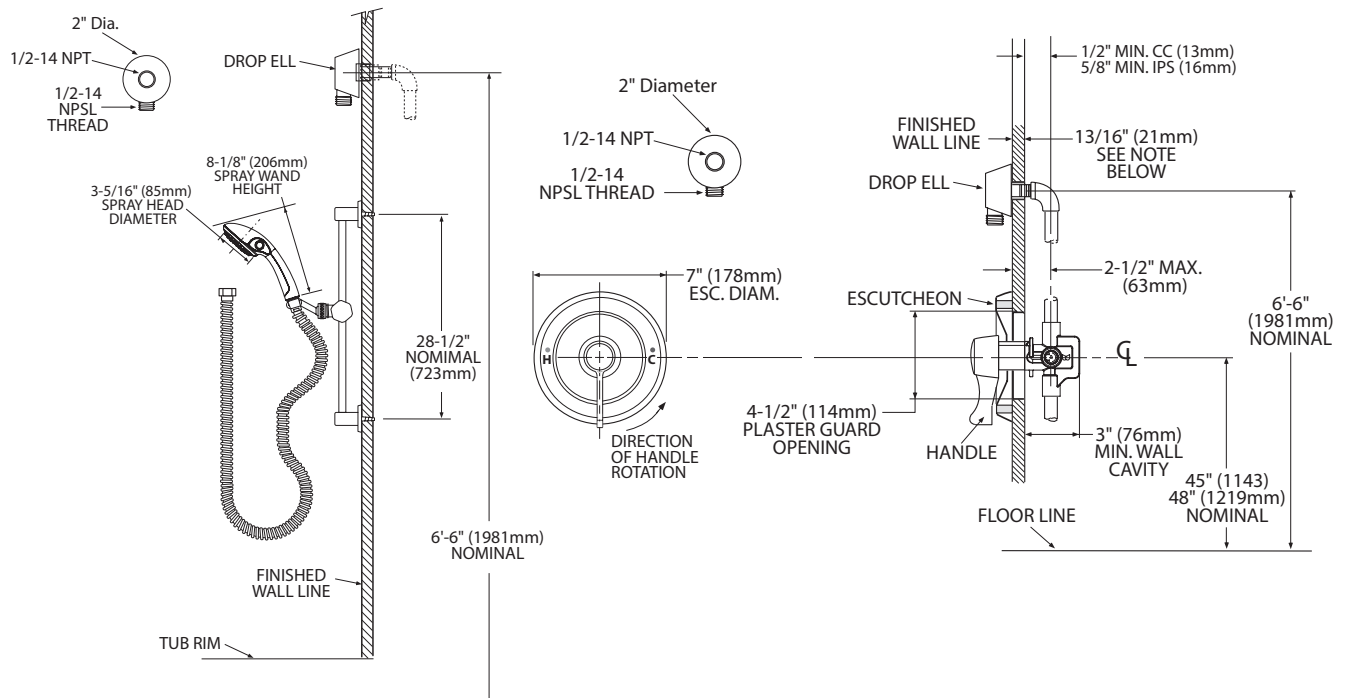
## WARRANTY

- Warranted for 5 years against material or manufacturing defects



## Single-Handle Pressure Balancing Shower Valve With Hand-Held Shower System

**Model: 8346, 8346EP15**



## CRITICAL DIMENSIONS

(DO NOT SCALE)